

LOWEST COST INDUCTORS

- 1 Smps averaging filter.
- 1 Characterized for general purpose use, and ripple filters.
- 1 Single layer designs.
- 1 Can be used as differential mode inductors in EMI filters.
- 1 Mounting package available on request.
- 1 Base material meets flammability requirements of UL 94V-O.
- 1 Mechanically rigid mount.
- 1 PC board-automatic insertability.

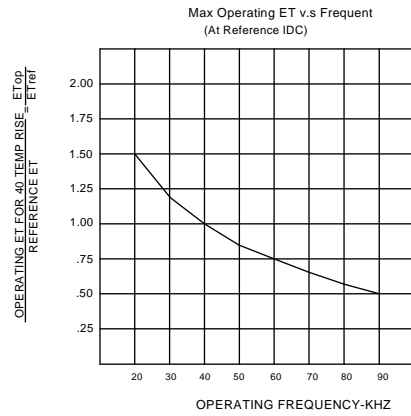
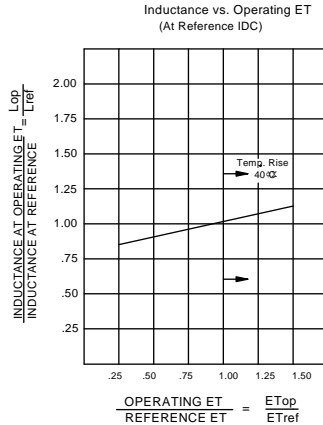
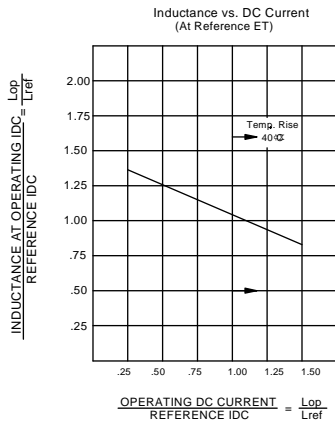
ELECTRICAL SPECIFICATIONS @25°C

Reference Operating Values				Design Control Values						
Model Number	Inductance Typical (μH)	I _{DC} (Amps)	ET _{OP} (V-μs)	Inductance No D.C. (μH) ^{+20%} _{-12%}	1000Hz Test Volts No D.C.	D C R (ohms) Max	Coil Size Code	Mounting Package	Lead Dia. (inches)±.003	Min. Energy Storage (μ J)
UT30591	20	2.0	52	32.8	.0034	.06	8		.020	40
UT30100(K)	25	2.5	30	20.7	.0023	.04	1	K1	.020	75
UT30101(K)	50	2.5	50	45.7	.0047	.07	2	K2	.020	150
UT30102(K)	100	2.5	90	94.1	.0094	.10	3	K3	.020	300
UT30103(K)	35	2.5	55	28.4	.0037	.04	2	K2	.025	110
UT30104(K)	70	3.0	85	61.0	.0076	.05	3	K3	.025	300
UT30105(K)	145	3.0	140	141.8	.015	.08	4	K4	.025	650
UT30106(K)	285	3.0	300	264.1	.035	.14	5	K5	.025	1275
UT30107	450	3.0	425	436.3	.053	.20	6		.025	2000
UT30108(K)	100	3.5	130	90.7	.012	.04	4	K4	.032	600
UT30109(K)	165	4.0	240	152.0	.027	.07	5	K5	.032	1300
UT30110	270	4.0	350	263.9	.041	.10	6		.032	2150
UT30111(K)	40	4.0	70	37.9	.006	.03	3	K3	.032	300
UT30590	12	5.0	44	20.3	.0038	.03	7		.032	150
UT30112(K)	100	5.0	200	90.7	.021	.04	5	K5	.042	1250
UT30113	170	5.0	300	159.7	.032	.05	6		.042	2100
UT30114(K)	55	5.0	100	54.9	.009	.02	4	K4	.042	650
UT30115	95	7.0	225	96.0	.025	.03	6		.051	2300
UT30116(K)	55	7.0	150	49.1	.015	.02	5	K5	.051	1300
UT30117	55	10.0	175	55.9	.019	.02	6		.064	2750

*Specifications are subject to change without prior notice.

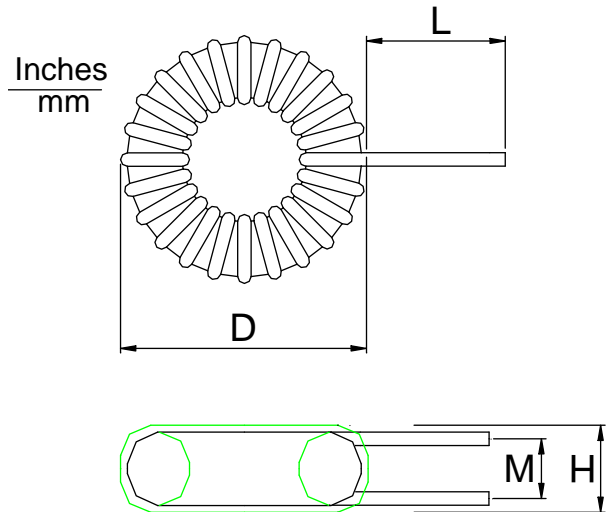
LOWEST COST INDUCTORS

RELATIONSHIPS BETWEEN REFERENCE AND OPERATING CONDITIONS



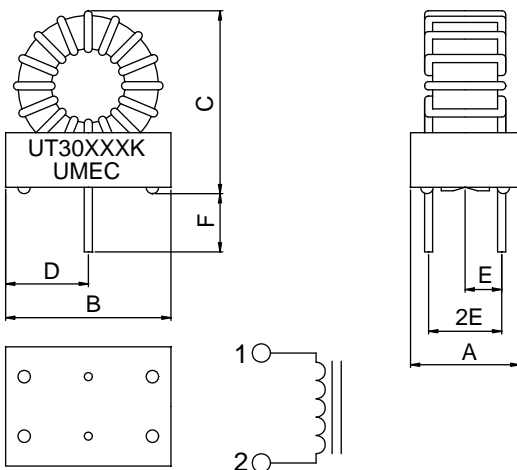
BARE COIL

SIZE CODE	D MAX	H MAX	M REF	L (±.125)
1	0.55 13.97	0.25 6.35	0.18 4.57	0.375 9.53
2	0.70 17.78	0.38 9.65	0.28 7.11	0.375 9.53
3	0.85 21.59	0.41 10.41	0.28 7.11	0.375 9.53
4	1.05 26.67	0.55 13.97	0.40 10.16	0.375 9.53
5	1.40 35.56	0.70 17.78	0.50 12.7	0.875 22.23
6	1.65 41.91	0.70 17.78	0.50 12.7	0.875 22.23
7	0.85 21.59	0.33 8.38	0.22 5.59	0.75 19.05
8	0.64 16.26	0.28 7.11	0.75 19.05	0.75 19.05



Leads stripped and Tinned to within .06" of Coil.

COIL INSTALLED IN CASE



STANDARD PACKAGE	A	B	C	D	E	F
	NOM. ±0.005	NOM		TYPICAL		
K1	.340	.578	.60	.29	.110	.110
K2	.450	.648	.65	.325	.150	.110
K3	.450	.828	.85	.415	.150	.110
K4	.600	.948	.95	.475	.215	.110
K5	.700	1.248	1.25	.625	.250	.110

DATA SHEET 01-30 JUL./04

2 OF 2

UNIVERSAL MICROELECTRONICS CO.,LTD.
TEL:886-4-23590096 FAX:886-4-23590129

3,27TH RD.,TAICHUNG INDUSTRIAL PARK,
TAICHUNG,TAIWAN,R.O.C