

# FAST ETHERNET 10BASE-T/100BASE-TX QUAD PORT TRANSFORMER MODULES

- 1 For Use with Transceivers Requiring 1:1 Transmit and Receive Turns Ratios.
- 1 Compliant with IEEE 802.3u and ANSI X3.236-1995 standard Including 350uH min. OCL with 8mA DC bias from 0°C to 70°C.
- 1 Models designed to support four single or double stacked RJ-45 connectors. (STP and UTP-5 cable)
- 1 IC-grade transfer molded package withstands 230±5°C peak temperature profile.
- 1 4 Port (QUAD) designed for 10/100BASE-TX MULTI-Port HUB, 100BASE-TX, ATM 155Mb/s, and TP-FDDI applications.

## FAST ETHERNET TRANSFORMER MODULES SELECTION

Chip Manufacturer	Chip Designation	UMEC Transformers
AMD	AM79C730 AM79C731 AM79C870 AM79C871 AM79C874 AM79C875	UT12110,UT12112
BROADCOM	BCM5203 BCM5205 BCM5208	UT12114,UT12115,UT12116
CRYSTAL	CS8952	UT12110,UT12112
DAVICOM	DM9101 DM9181	UT12110,UT12112
GEC PLESSEY	NWK918	UT12110,UT12112
INTEGRATED CIRCUIT SYSTEMS	ICS1890 ICS1891	UT12110,UT12111, UT12112,UT12113
INTEL	S82555 S82558	UT12110,UT12112
LEVEL ONE	LXT970 LXT974 LXT975 LXT980	UT12110,UT12111
LUCENT TECHNOLOGIES	LUC3X04 LUC3X14 LUC3X24	UT12110,UT12112
MICRO LINEAR	ML6673	UT12110,UT12112,UT12113
NATIONAL SEMICONDUCTOR	DP83840A/DP83223	UT12110,UT12111,UT12112,UT12113
TEXAS INSTRUMENTS	TNETE2101 TNETE2104	UT12110,UT12112
TDK	TSC78Q2120	UT12110,UT12112

# FAST ETHERNET 10BASE-T/100BASE-TX QUAD PORT TRANSFORMER MODULES

## ELECTRICAL SPECIFICATIONS @25°C

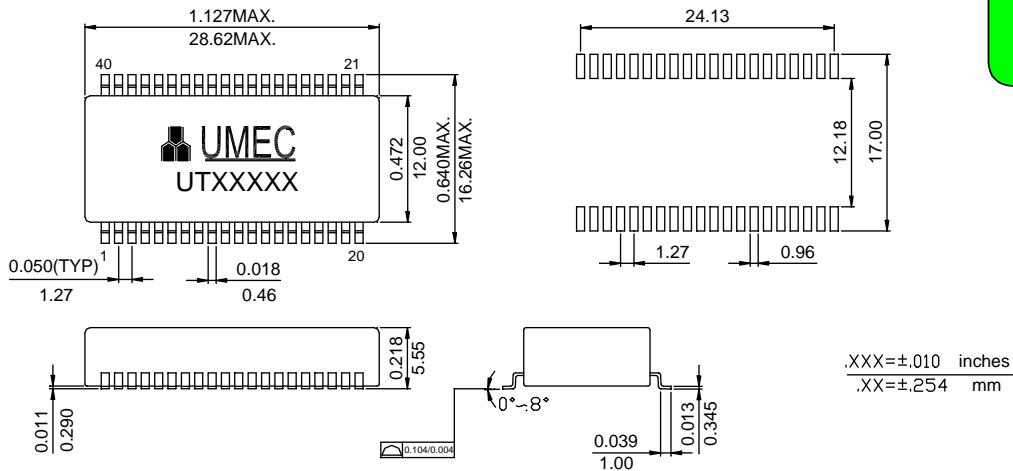
Model No.	Insertion Loss (dB Max.)	Return Loss (dB Min.)		Cross Talk (dB Min.)		Diff. To Com. Mode Rejection (dB Min.)		Com. To Com. Rejection Ration (dB TYP.)	Rise Time & Fall Time (nsec. Max.)
		1-60MHz Tx/Rx	60-100 MHz Tx/Rx	1-60MHz	60-100 MHz	1-60MHz Tx/Rx	60-100 MHz Tx/Rx		
UT12110	-1.1	-15/-17	-11/-15	-40	-35	-45/-40	-40/-35	0.1-60MHz Tx/Rx	5.0
UT12111	-1.1	-15/-17	-11/-15	-40	-35	-45/-40	-40/-35	-30	5.0
UT12112	-1.1	-15/-17	-11/-15	-40	-35	-45/-40	-40/-35	-30	5.0
UT12113	-1.1	-15/-17	-11/-15	-40	-35	-45/-40	-40/-35	-30	5.0
UT12114	-1.1	-15/-17	-11/-15	-40	-35	-45/-40	-40/-35	-30	5.0
UT12115	-1.1	-15/-17	-11/-15	-40	-35	-45/-40	-40/-35	-30	5.0
UT12116	-1.1	-15/-17	-11/-15	-40	-35	-45/-40	-40/-35	-30	5.0

Note:1.) all models meet input to output breakdown (HI-POT) of 1500Vrms.

2.) For RoHS compliant products:

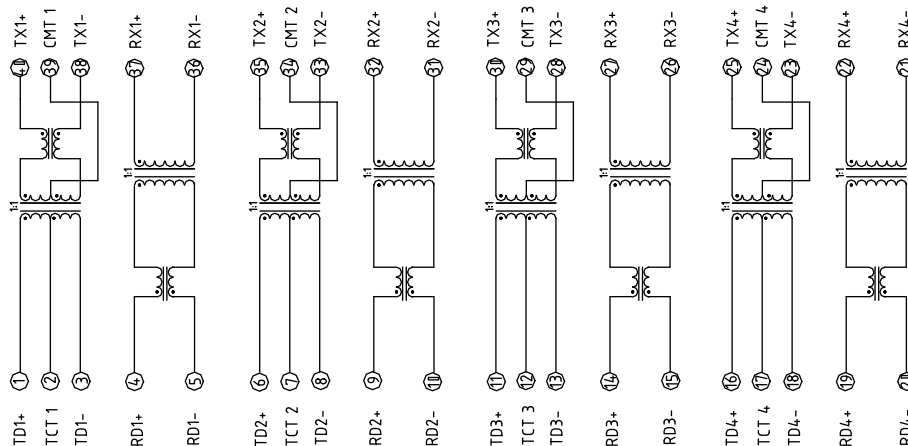
a.)the Ordering Code: TG-Model No. ex. TG-UT12110 b.)Solder : Sn/Ag/Cu c.)Date Code suffix to "G" (xxxxG)

## MECHANICAL SPECIFICATIONS



## SCHEMATIC

### UT12110

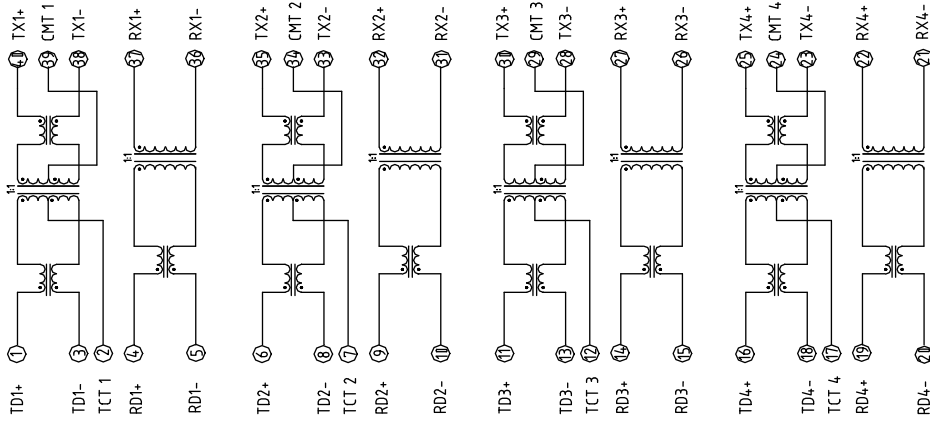


DATA SHEET 02-12 JAN./06

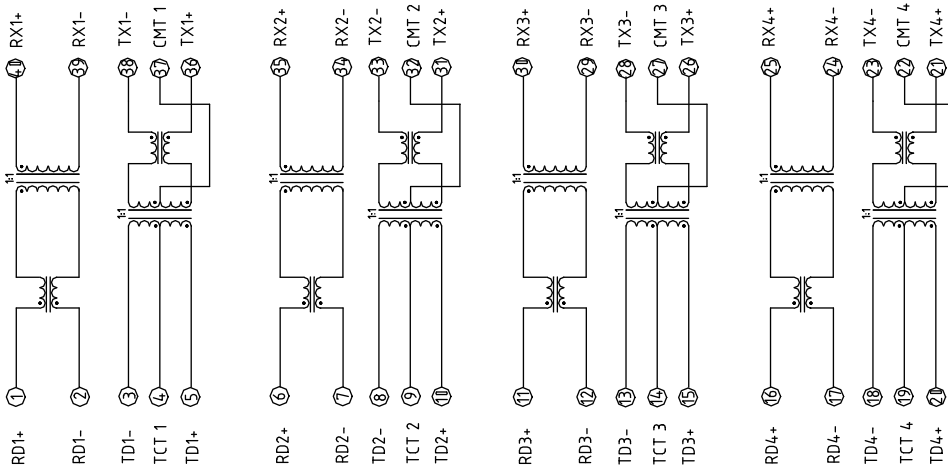
2 OF 4

# FAST ETHERNET 10BASE-T/100BASE-TX QUAD PORT TRANSFORMER MODULES

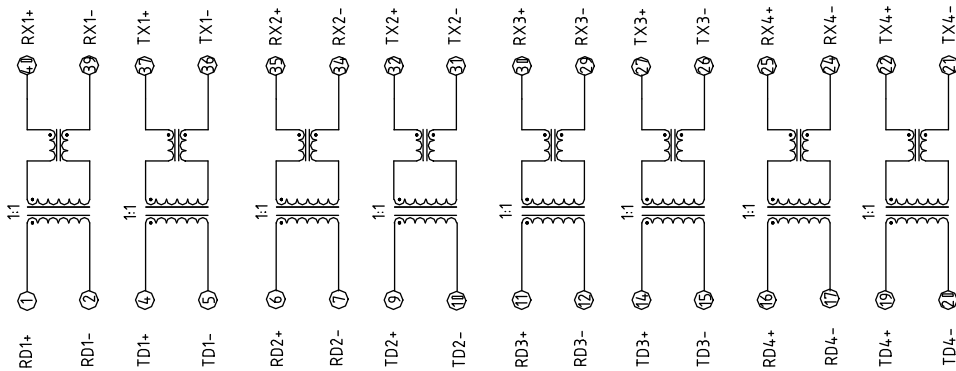
UT12111



UT12112

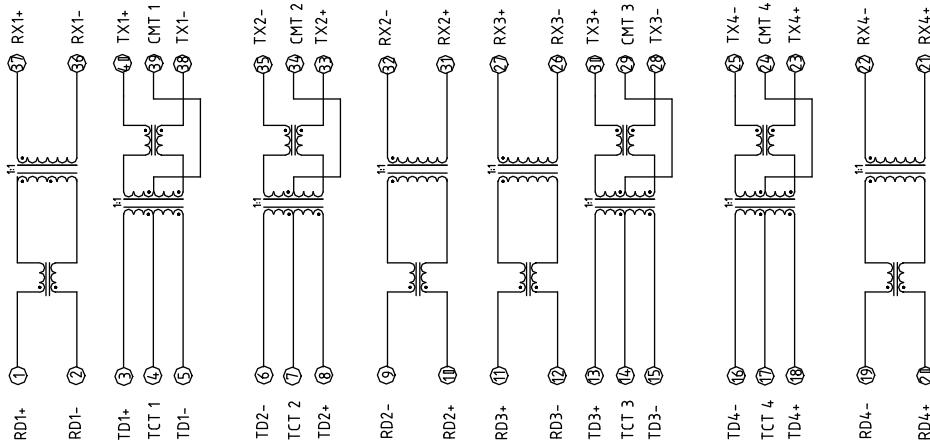


UT12113

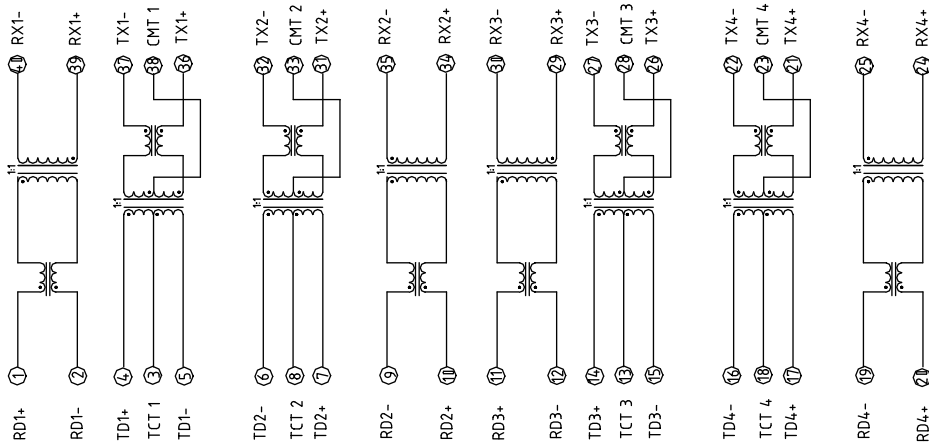


# FAST ETHERNET 10BASE-T/100BASE-TX QUAD PORT TRANSFORMER MODULES

UT12114



UT12115



UT12116

