

FAST ETHERNET 10BASE-T/100BASE-TX TRANSFORMER MODULES

- Compliant with IEEE 802.3u and ANSI X3.236-1995 standard Including 350uH min. OCL with 8mA DC bias.
- Models designed to support RJ-45 connectors. (STP and UTP-5 cable)
- IC-grade transfer molded package withstands 230±5°C peak temperature profile.
- Designed for 10/100BASE-TX, 100BASE-TX, ATM 155Mb/s, and TP-FDDI applications.
- Turns Ratio tolerance ± 5% .
- Operating temperature : 0°C to 70°C.

FAST ETHERNET TRANSFORMER MODULES SELECTION

Chip Manufacturer	Chip Designation	UMEC Transformers
AMD	AM79C730 AM79C731 AM79C870 AM79C871 AM79C874 AM79C875	UT12210,UT12211,UT12212
CRYSTAL	CS8952	UT12210,UT12211
DAVICOM	DM9101 DM9181	UT12210,UT12211
GEC PLESSEY	NWK918	UT12210,UT12211
INTEGRATED CIRCUIT SYSTEMS	ICS1890 ICS1891	UT12211
INTEL	S82555 S82558	UT12210,UT12211
LEVEL ONE	LXT970 LXT974 LXT975 LXT980	UT12210,UT12211
LUCENT TECHNOLOGIES	LUC3X04 LUC3X14 LUC3X24	UT12210,UT12211
MICRO LINEAR	ML6673	UT12211
	MIL6671 MIL6692 MIL6694	UT12218,UT12219
NATIONAL SEMICONDUCTOR	DP83840A DP83223	UT12210
QUALITY SEMICONDUCTOR	QS6611-D2	UT12213,UT12215,UT12216
	QS6612	UT12214,UT12217
TEXAS INSTRUMENTS	TNETE2101	UT12210,UT12211
TDK	TSC78Q2120	UT12210,UT12211

DATA SHEET 03-12 JUN./06
1 OF 4



UNIVERSAL MICROELECTRONICS CO.,LTD.
TEL:886-4-23590096 FAX:886-4-23590129

3,27TH RD.,TAICHUNG INDUSTRIAL PARK,
TAICHUNG,TAIWAN,R.O.C

FAST ETHERNET 10BASE-T/100BASE-TX TRANSFORMER MODULES

ELECTRICAL SPECIFICATIONS @25⁰C

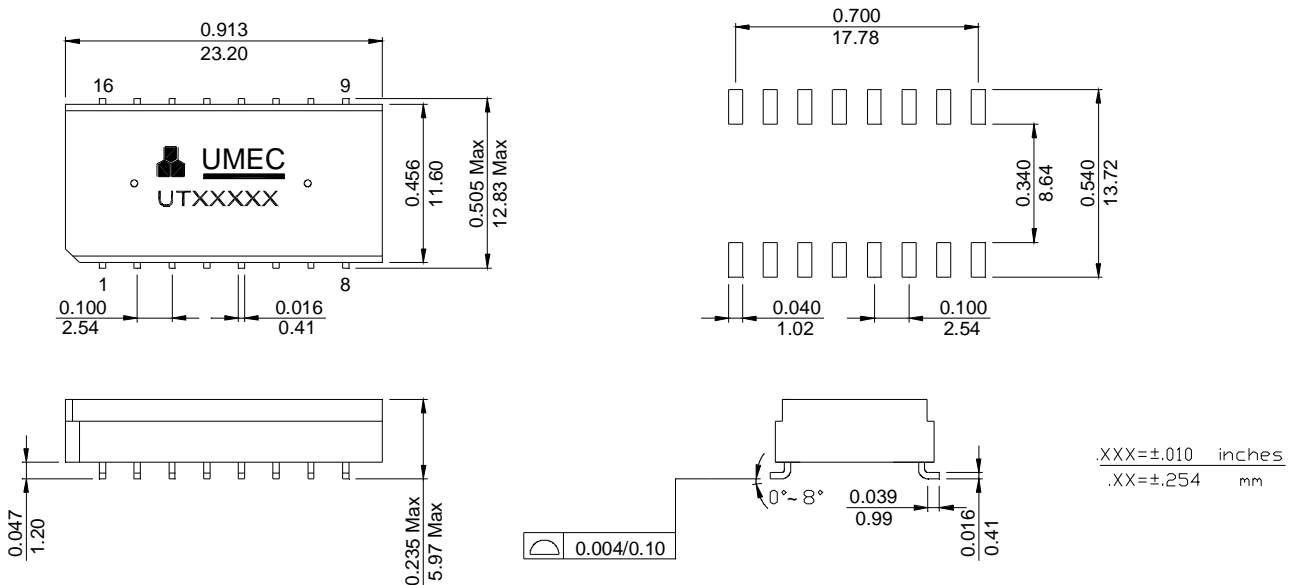
Model No.	Insertion Loss (dB Max.)	Return Loss (dB Min. @ 100Ω)					Cross Talk (dB Min.)				Diff. To Com. Mode Rejection (dB Min.)		Com. To Com. Rejection Ratio (dB Min.)	Rise Time & Fall Time (nsec. Max.)
		(MHz)					(MHz)				1-60MHz Tx/Rx	60-100MHz Tx/Rx		
UT12210	-1.0	-20	-18	-16	-12	-10	-55	-42	-34	-30	-45/-40	-40/-35	-30	5.0
UT12211	-1.0	-20	-18	-16	-12	-10	-55	-42	-34	-30	-45/-40	-40/-35	-30	5.0
UT12212	-1.0	-20	-18	-16	-12	-10	-55	-42	-34	-30	-45/-40	-40/-35	-30	5.0
UT12213	-1.0	-20	-18	-16	-12	-10	-55	-42	-34	-30	-45/-40	-40/-35	-30	5.0
UT12214	-1.0	-20	-18	-16	-12	-10	-55	-42	-34	-30	-45/-40	-40/-35	-30	5.0
UT12215	-1.0	-20	-18	-16	-12	-10	-55	-42	-34	-30	-45/-40	-40/-35	-30	5.0
UT12216	-1.0	-20	-18	-16	-12	-10	-55	-42	-34	-30	-45/-40	-40/-35	-30	5.0
UT12217	-1.0	-20	-18	-16	-12	-10	-55	-42	-34	-30	-45/-40	-40/-35	-30	5.0
UT12218	-1.0	-20	-18	-16	-12	-10	-55	-42	-34	-30	-45/-40	-40/-35	-30	5.0
UT12219	-1.0	-20	-18	-16	-12	-10	-55	-42	-34	-30	-45/-40	-40/-35	-30	5.0

Note: 1.All models meet input to output breakdown (HI-POT) of 1500Vrms.

2.For RoHS compliant products, the Ordering Code: TG-Model No. ex. TG-UT12210



MECHANICAL SPECIFICATIONS



DATA SHEET 03-12 JUN./06
2 OF 4



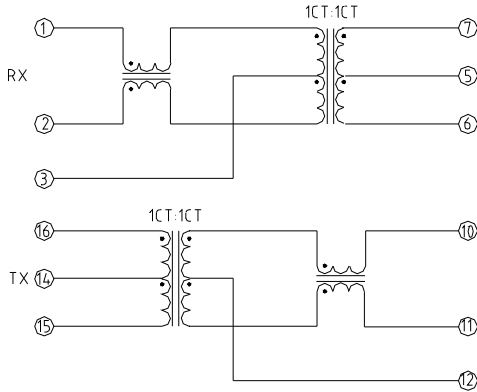
UNIVERSAL MICROELECTRONICS CO.,LTD.
TEL:886-4-23590096 FAX:886-4-23590129

3,27TH RD.,TAICHUNG INDUSTRIAL PARK,
TAICHUNG,TAIWAN,R.O.C

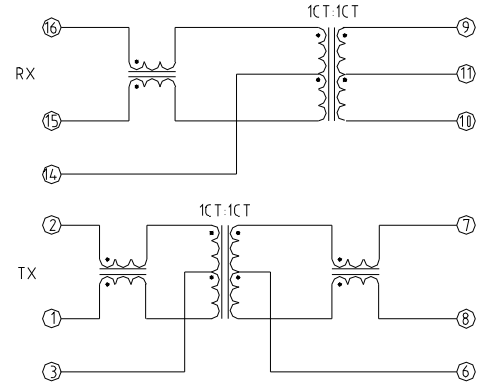
FAST ETHERNET 10BASE-T/100BASE-TX TRANSFORMER MODULES

SCHEMATIC

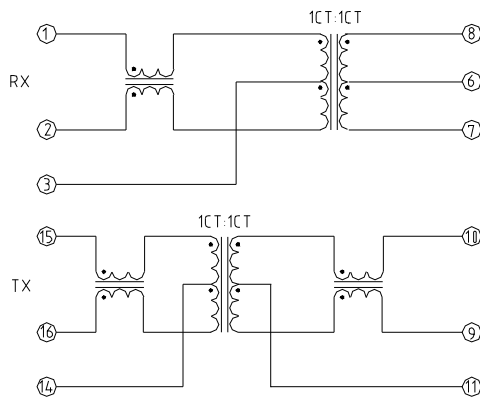
UT12210



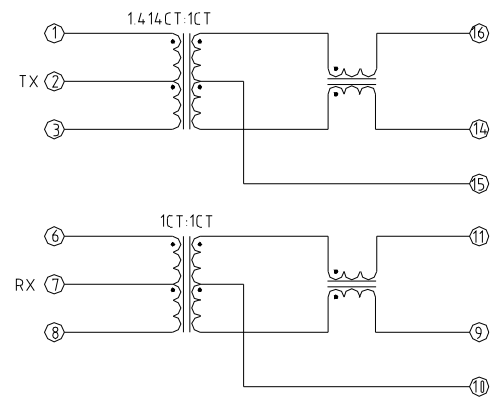
UT12211



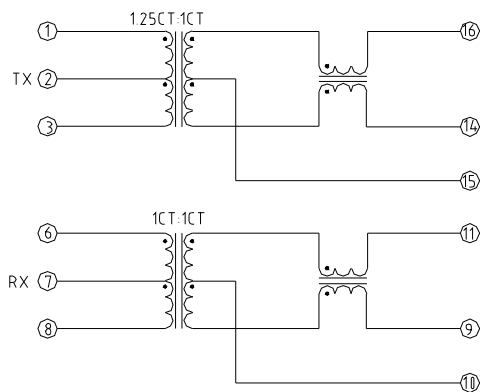
UT12212



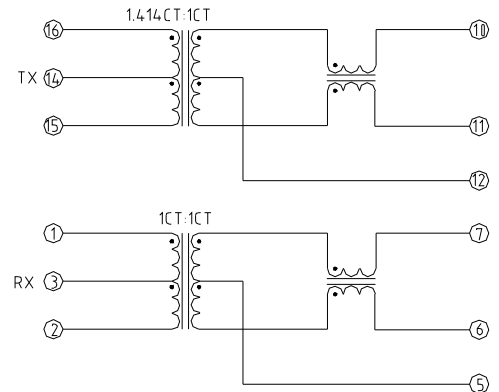
UT12213



UT12214



UT12215



DATA SHEET 03-12 JUN./06
3 OF 4

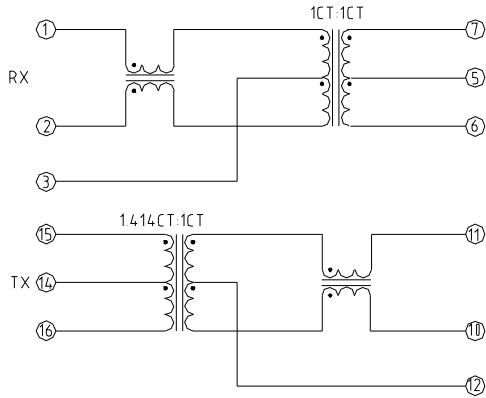


UNIVERSAL MICROELECTRONICS CO.,LTD.
TEL:886-4-23590096 FAX:886-4-23590129

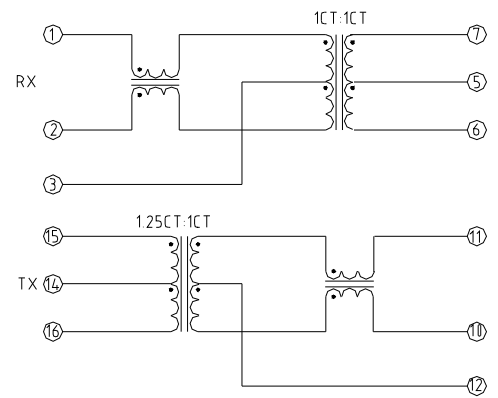
3,27TH RD.,TAICHUNG INDUSTRIAL PARK,
TAICHUNG,TAIWAN,R.O.C

FAST ETHERNET 10BASE-T/100BASE-TX TRANSFORMER MODULES

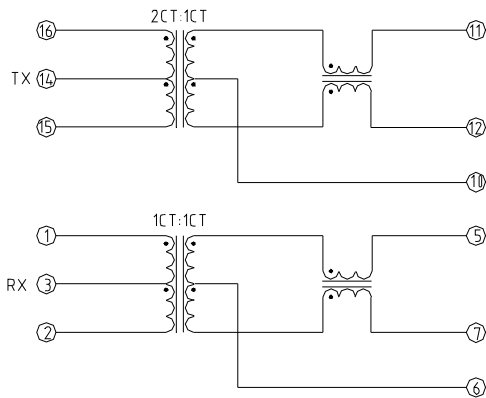
UT12216



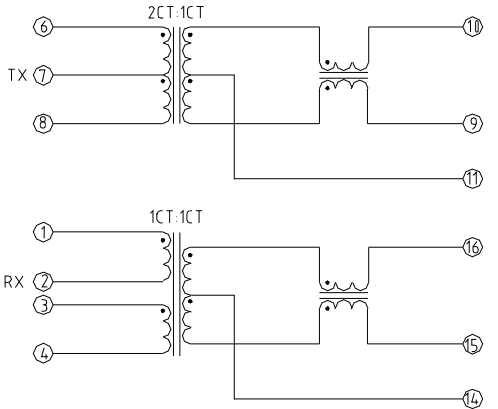
UT12217



UT12218



UT12219



*Specifications are subject to change without prior notice.

