

# T3/DS3/E3/STS-1 Transformers

- Developed for use in T3,DS3,E3 and STS-1 interface.
- Return loss meets requirements of G.703.
- Fast rise time compatible with standards.
- Models with 1500Vrms isolation and 3000Vrms reinforced insulation per BAPT EN41003/EN60950.

## ELECTRICAL SPECIFICATIONS @25°C

Model No.	Turns Ratio (±2%)	OCL Primary (μ H MIN)	OCL at -40°C (μ H MIN)	L <sub>L</sub> (μ H MAX)	Cw/w (pF MAX)	Bandwidth 75Ω System (MHz TYP)	Isolation Voltage (Vrms MIN)	Package/ Schematic	Primary Pins
UT23661 <sup>1)</sup>	1:2CT	35	20	.12	10	—	1500	SMD/B	4-6
UT23662 <sup>1)</sup>	1:1	45	30	.12	13	—	1500	SMD/A	4-6
UT23856 <sup>1)</sup>	1:1.73CT	50	30	.10	12	.060-300	1500	DIL/C	4-6
UT23666	1:1	40	—	.10	10	.200-340	1500	DIL/E	4-6
UT23967	1:1	40	—	.10	10	.200-340	1500	SMD/E	4-6
UT23968	1:2CT	19	—	.06	10	.250-500	1500	SMD/C	4-6
UT23969	1:2CT	19	—	.06	10	.250-500	1500	DIL/C	4-6
UT23629	1:1	40	—	.10	5	—	3000	THT/F	1-5
UT23630	1:2CT	19	—	.06	10	—	3000	THT/D	1-5

Note: 1. Operating Temperature: -40°C to +85°C

\*For RoHS compliant products: a.) The Ordering Code: TG-Model No. ex.:TG-UT23661

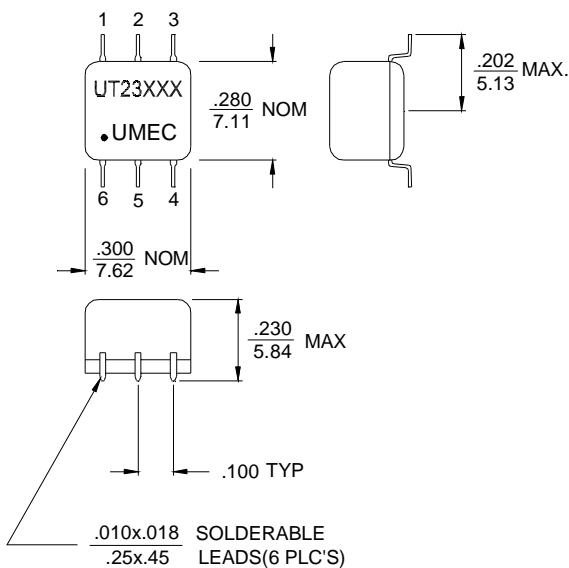
b.) SMD Solder: Sn/Ag/Cu; THT Solder: Sn/Cu

c.) Date Code suffix to "G" (xxxxG)

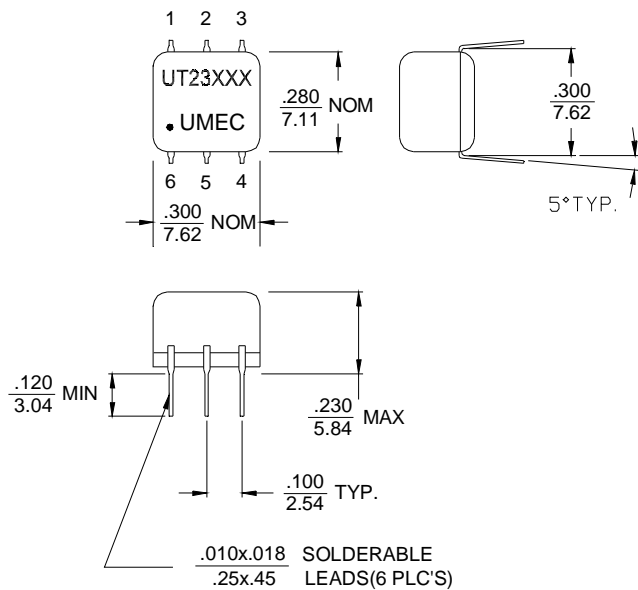


## MECHANICALS

### SMD



### DIL



DATA SHEET 03-23 NOV./06  
1 OF 2

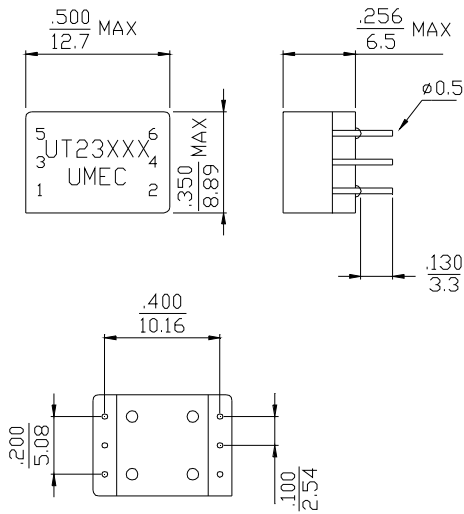


UNIVERSAL MICROELECTRONICS CO.,LTD.  
TEL:886-4-23590096 FAX:886-4-23590129

3,27TH RD.,TAICHUNG INDUSTRIAL PARK,  
TAICHUNG,TAIWAN,R.O.C

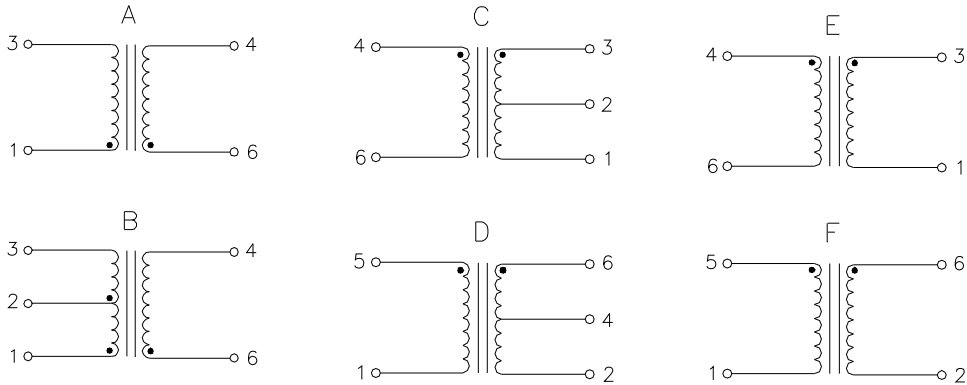
# T3/DS3/E3/STS-1 Transformers

THT



Dimensions:  $\frac{\text{inches}}{\text{mm}}$   
 Tolerances:  $\pm \frac{.010}{0.25}$

## SCHEMATICS



## Transformer Selection Guide

Chip Manufacturer	Surface Mount		Through Hole (1500 Vrms)		Through Hole (3000 Vrms)	
	Transmit	Receive	Transmit	Receive	Transmit	Receive
AT&T/Lucent T7296	UT23967	—	UT23666	—	UT23629	—
Exar XR-T7296	UT23967	—	UT23666	—	UT23629	—
Illicon Systems SSI 78P236,DS3	UT23968	UT23967	UT23969	UT23666	UT23630	UT23629
SSI 78P7200,DS3	UT23968	UT23967	UT23969	UT23666	UT23630	UT23629
SSI 78P7200,E3	UT23968	UT23968	UT23969	UT23669	UT23630	UT23630
SSI 78P2361,STS-1	UT23968	UT23967	UT23969	UT23666	UT23630	UT23629
SSI 78P2362,E3	UT23968	UT23967	UT23969	UT23666	UT23630	UT23629
Transwitch MRT TXC-02050 <sup>*)</sup> ,E3	UT23968	UT23967	UT23969	UT23666	UT23630	UT23629
ART 02020 DS3,STS-1	UT23967	UT23967	UT23666	UT23666	UT23629	UT23629

- \*) 1.The Transwitch MRT TXC-02050 chip is also designed to operate in 6.312 and 8.448 Mbps interfaces. A 1:1 transformer UT23934 is recommended.  
 2.Specifications are subject to change without prior notice.

DATA SHEET 03-23 NOV./06  
 2 OF 2



UNIVERSAL MICROELECTRONICS CO.,LTD.  
 TEL:886-4-23590096 FAX:886-4-23590129

3,27TH RD.,TAICHUNG INDUSTRIAL PARK,  
 TAICHUNG,TAIWAN,R.O.C