

# FAST ETHERNET 10BASE-T/100BASE-TX TRANSFORMER MODULES ( Ideal for Type I or Type II PCMCIA Applications )

- 1 Designed to exceed IEEE 802.3i-1993 10 Base-T specifications.
- 1 Compliant with IEEE 802.3u and ANSI X3.236-1995 standard Including 350uH min. OCL with 8mA DC bias.
- 1 Low-profile surface mount package.
- 1 IC-grade transfer molded package withstands 230±5°C peak temperature profile.
- 1 Turns ratio tolerance:± 5%

## FAST ETHERNET TRANSFORMER MODULES SELECTION

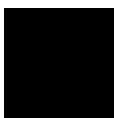
Chip Manufacturer	Chip Designation	UMEC Transformers
INTEGRATED CIRCUIT SYSTEMS	ICS1890	UT12312,UT12313
NATIONAL SEMICONDUCTOR	DP83840 DP83223	UT12312,UT12313
QUALITY SEMICONDUCTOR INC.	QS6611D2	UT12311
	QS6612	UT12314
MICRO LINEAR	ML6671	UT12310
	ML6692/6694/6698	UT12315
TDK	TSC78Q2120/2121	UT12312,UT12313

## ELECTRICAL SPECIFICATIONS @25°C

Model No.	Insertion Loss (dB Max.)	Return Loss (dB Min.)		Cross Talk (dB Min.)		Diff. To Com. Mode Rejection (dB Min.)		Com. To Com. Rejection Ration (dB TYP.)	Rise Time & Fall Time (nsec. Max.)
		1-60MHz	60-100 MHz	1-60MHz	60-100 MHz	1-60MHz	60-100 MHz		
	1-125MHz	Tx/Rx	Tx/Rx			Tx/Rx	Tx/Rx	0.1-60MHz	
UT12310	-1.1	-15/-17	-11/-15	-40	-35	-45/-40	-40/-35	-30	5.0
UT12311	-1.1	-15/-17	-11/-15	-40	-35	-45/-40	-40/-35	-30	5.0
UT12312	-1.1	-15/-17	-11/-15	-40	-35	-45/-40	-40/-35	-30	5.0
UT12313	-1.1	-15/-17	-11/-15	-40	-35	-45/-40	-40/-35	-30	5.0
UT12314	-1.1	-15/-17	-11/-15	-40	-35	-45/-40	-40/-35	-30	5.0
UT12315	-1.1	-15/-17	-11/-15	-40	-35	-45/-40	-40/-35	-30	5.0

Note: all models meet input to output breakdown (HI-POT) of 1500Vrms.

DATA SHEET 04-12 JUL./04  
1 OF 3

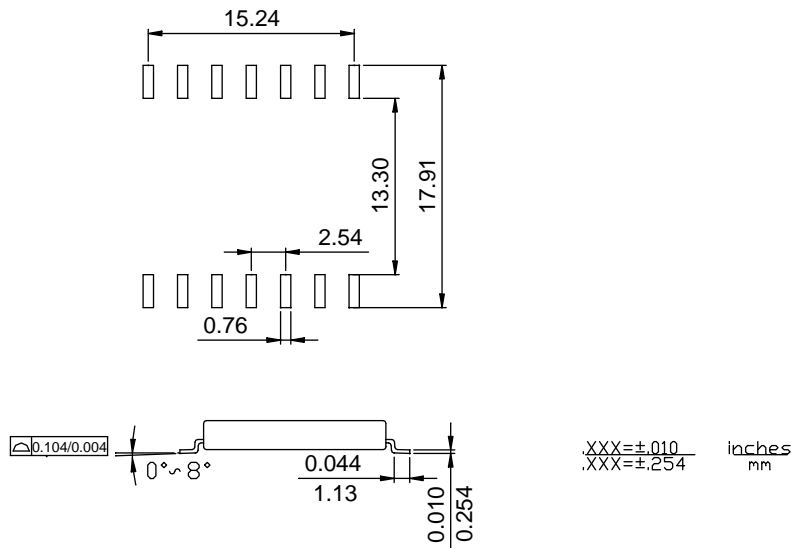
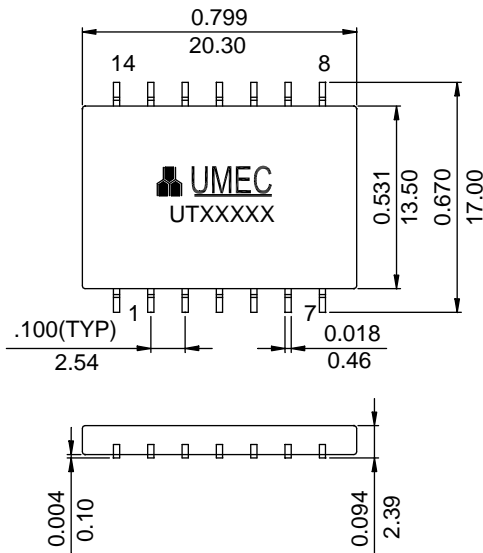


UNIVERSAL MICROELECTRONICS CO.,LTD.  
TEL:886-4-23590096 FAX:886-4-23590129

3,27TH RD.,TAICHUNG INDUSTRIAL PARK,  
TAICHUNG,TAIWAN,R.O.C

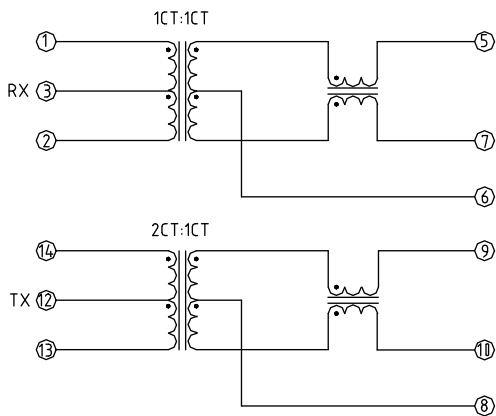
# FAST ETHERNET 10BASE-T/100BASE-TX TRANSFORMER MODULES ( Ideal for Type I or Type II PCMCIA Applications )

## MECHANICAL SPECIFICATIONS

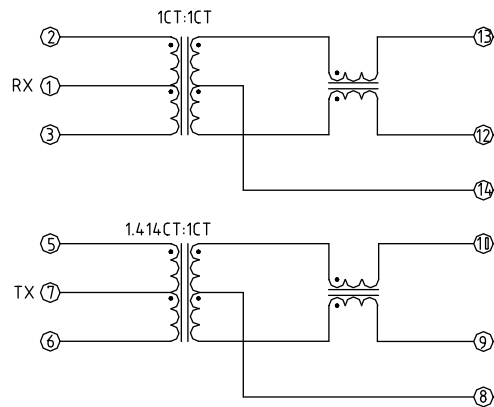


## SCHEMATICS

### UT12310

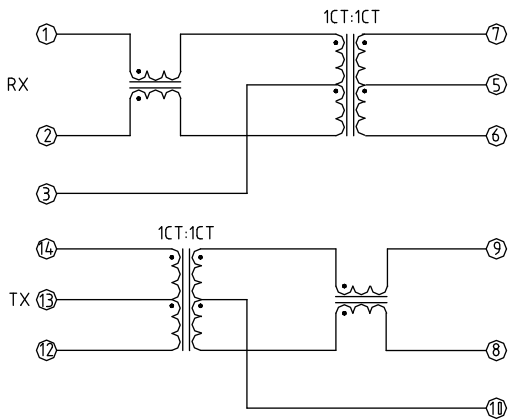


### UT12311

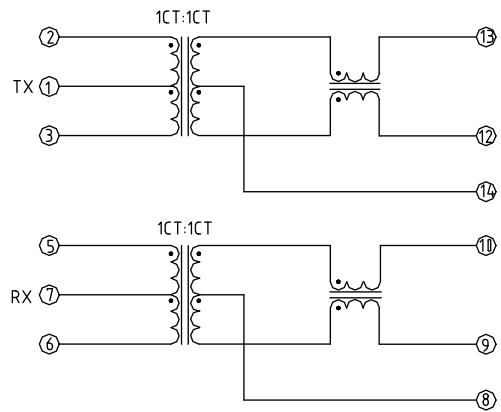


# FAST ETHERNET 10BASE-T/100BASE-TX TRANSFORMER MODULES ( Ideal for Type I or Type II PCMCIA Applications )

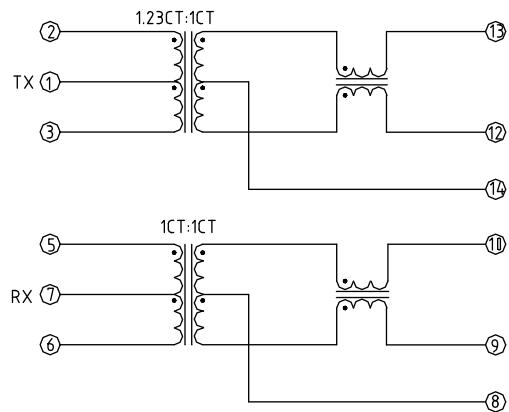
UT12312



UT12313



UT12314



UT12315

