

1000BASE-T ETHERNET SINGLE PORT TRANSFORMER MODULES

- For Use with Transceivers Requiring 1:1 Transmit and Receive Turns Ratio
- Compliant with IEEE 802.3ab standard for 100/1000BASE-T Including 350uH min. OCL with 8mA DC bias
- Designed to support 4 pairs of category 5 UTP cable

1000BASE-T ETHERNET TRANSFORMER MODULES SELECTION

IC Manufacturer	IC Part Number	Ports	Comments	UMEC Transformers
Broadcom (Allayer)	AL1023	1	---	UT12010
Broadcom	BCM5400, BCM5401	1	PHY	UT12010
	BCM5701, BCM5702	1	MAC/PHY	UT12009
	BCM5703, BCM5704	1	MAC/PHY	UT12009
	BCM5705, BCM5707	1	MAC/PHY	UT12009
	BCM5411, BCM5421	1	PHY	UT12010
Cicada Semiconductor	CIS8201	1	PHY	UT12010
Intel(Level One)	LXT1000	1	MAC/PHY	UT12010
LSI Logic	L80600	1	PHY	UT12010
Lucent Technologies	LU8X31, LU8X32	1	---	UT12010
Marvell Semiconductor	88E1000, 88E1000S 88E1010, 88E1010S 88E1020, 88E1020S 88E1040, 88E1040S	1	MAC/PHY	UT12009, UT12009A UT12010
	88E1011	1	MAC/PHY	UT12009, UT12009A
Micrel(Kendin)	KS9020	1	---	UT12010
Mysticom	MY1001	1	PHY	UT12010
National Semiconductor	DP83892	1	PHY	UT12010
	DP83861	1	PHY	UT12010
	DP83820	1	NIC	UT12010
Realtek	RLT8169	1	NIC	UT12010
Vitesse	VSC7380,VSC7384	8,12	GbE switch	UT12010

DATA SHEET 05-12 FEB./06
1 OF 2



UNIVERSAL MICROELECTRONICS CO.,LTD.
TEL:886-4-23590096 FAX:886-4-23590129

3,27TH RD.,TAICHUNG INDUSTRIAL PARK,
TAICHUNG,TAIWAN,R.O.C

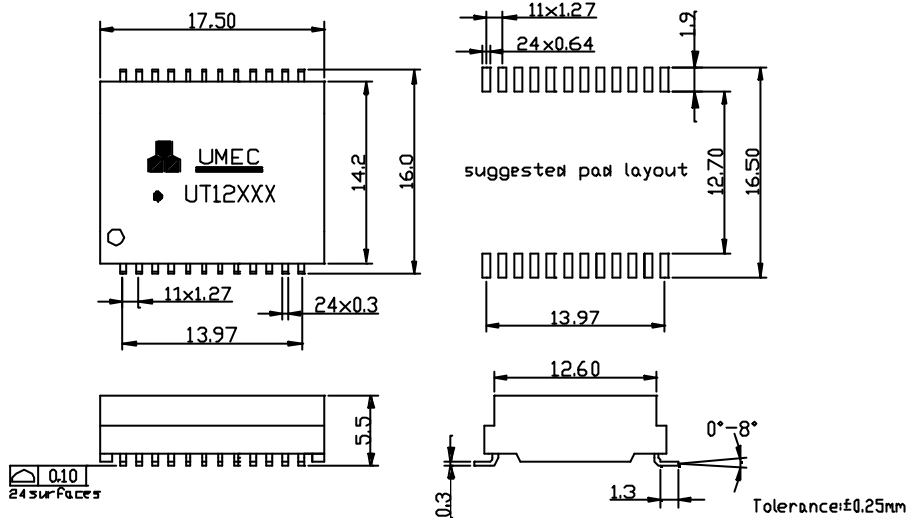
1000BASE-T ETHERNET SINGLE PORT TRANSFORMER MODULES

ELECTRICAL SPECIFICATIONS @25°C --- Operating Temperature 0°C to 70°C

Model No.	Insertion Loss (dB Max.)	Return Loss (dB Min. @ 100Ω)					Cross Talk (dB Min.)			Common to Common Rejection Ratio (dB Min.)	Hi-pot (Vrms)
		1-30MHz	40MHz	50MHz	60-80MHz	100MHz	30MHz	60MHz	100MHz		
UT12009	-1.0	-18	-18	-16	-12	-10	-45	-40	-33	-35	1500
UT12009A	-1.0	-18	-18	-16	-12	-10	-45	-40	-33	-35	1500
UT12010	-1.0	-18	-18	-16	-12	-10	-45	-40	-33	-35	1500

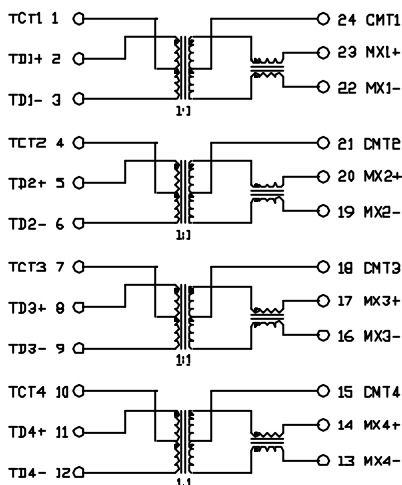
- For RoHS compliant products, a.) The Ordering Code: TG-Model No. ex. TG-UT12009
b.) Solder : Sn/ Ag/ Cu; c.) Date Code suffix to "G" (xxxxG)
- UT12009A Operating Temperature -40°C to +85°C

Mechanical

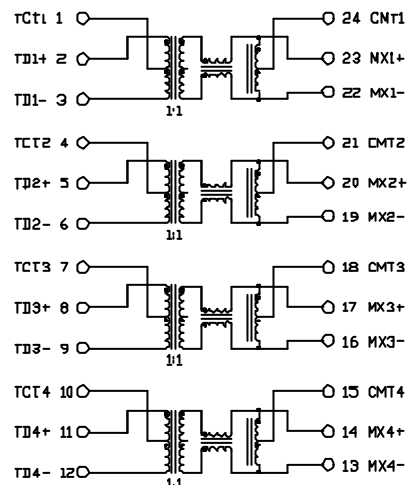


Schematics

UT12009/UT12009A



UT12010



DATA SHEET 05-12 FEB./06
2 OF 2



UNIVERSAL MICROELECTRONICS CO.,LTD.
TEL:886-4-23590096 FAX:886-4-23590129

3,27TH RD.,TAICHUNG INDUSTRIAL PARK,
TAICHUNG,TAIWAN,R.O.C