

1000BASE-T ETHERNET DUAL PORT TRANSFORMER MODULES

- For Use with Transceivers Requiring 1:1 Transmit and Receive Turns Ratio
- Compliant with IEEE 802.3ab standard for 100/1000BASE-T Including 350uH min. OCL with 8mA DC bias
- Designed to support 4 pairs of category 5 UTP cable
- RoHS Compliant

1000BASE-T ETHERNET TRANSFORMER MODULES SELECTION

IC Manufacturer	IC Part Number	Ports	Comments	UMEC Transformers
Broadcom	BCM5400, BCM5401	1	PHY	UT12011
	BCM5701, BCM5702	1	MAC/PHY	UT12012, UT12012A
	BCM5703, BCM5704	1	MAC/PHY	UT12012, UT12012A
	BCM5705, BCM5707	1	MAC/PHY	UT12012, UT12012A
	BCM5402	2	PHY	UT12011
Cicada Semiconductor	CIS8201	1	PHY	UT12011
Intel(Level One)	LXT1000	1	MAC/PHY	UT12011
LSI Logic	L80600	1	PHY	UT12011
Marvell Semiconductor	88E1000, 88E1000S	1	MAC/PHY	UT12011
Micrel(Kendin)	KS9020	1	---	UT12011
Mysticom	MY1001	1	PHY	UT12011
National Semiconductor	DP83820	1	NIC	UT12011
Realtek	RLT8169	1	NIC	UT12011
Vitesse	VSC7380,VSC7384	8,12	GbE switch	UT12011

DATA SHEET 06-12 SEP/05
1 OF 3



UNIVERSAL MICROELECTRONICS CO.,LTD.
TEL:886-4-23590096 FAX:886-4-23590129

3,27TH RD.,TAICHUNG INDUSTRIAL PARK,
TAICHUNG,TAIWAN,R.O.C

1000BASE-T ETHERNET DUAL PORT TRANSFORMER MODULES

ELECTRICAL SPECIFICATIONS @25°C --- Operating Temperature 0°C to 70°C

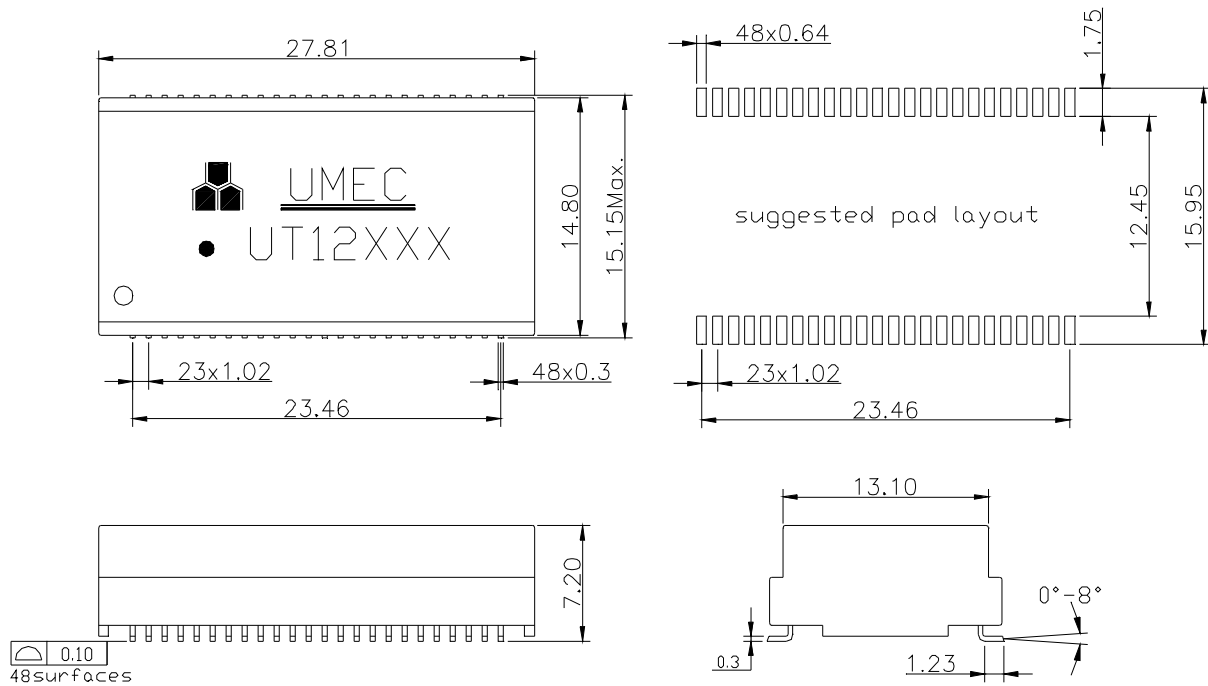
Model No.	Insertion Loss (dB Max.)	Return Loss (dB Min. @ 100Ω)					Cross Talk (dB Min.)			Common to Common Rejection Ration (dB Min.)	Hi-pot (Vrms)
		1-30MHz	40MHz	50MHz	60-80MHz	100MHz	30MHz	60MHz	100MHz		
UT12011	-1.4	-16	-14.4	-13.1	-12	-10	-43.5	-37.5	-33	-35	1500
UT12012	-1.4	-16	-14.4	-13.1	-12	-10	-43.5	-37.5	-33	-35	1500
UT12012A	-1.4	-16	-14.4	-13.1	-12	-10	-43.5	-37.5	-33	-35	1500

Note: 1. UT12012A Operating Temperature -40°C to +85°C

2. For RoHS compliant products, the Ordering Code: TG-Model No. ex. TG-UT12011



Mechanical



Tolerances: ±.25mm

DATA SHEET 06-12 SEP/05
2 OF 3



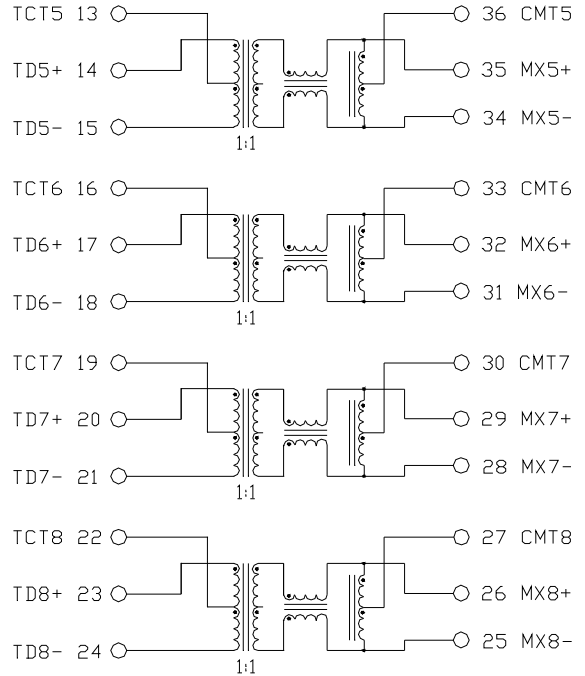
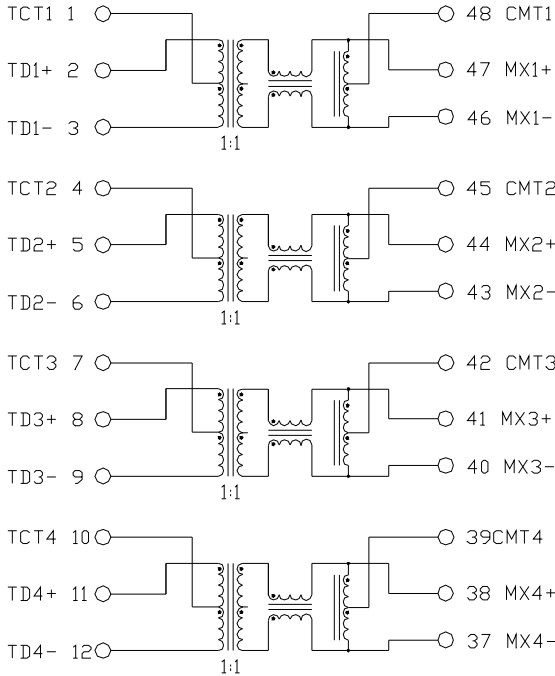
UNIVERSAL MICROELECTRONICS CO.,LTD.
TEL:886-4-23590096 FAX:886-4-23590129

3,27TH RD.,TAICHUNG INDUSTRIAL PARK,
TAICHUNG,TAIWAN,R.O.C

1000BASE-T ETHERNET DUAL PORT TRANSFORMER MODULES

Schematics

UT12011



UT12012/UT12012A

