

POTS FILTERS

For DSL Applications

- Filter design is compliant with all ADSL, RADSL, SDSL and VDSL coding standards
- Operating temperature range of -40° to 70°
- Packages design includes cable and RJ-11 connectors for easy installation
- Meets UL, CSA and TUV safety standard
- UL 1950 compliant
- Meets FCC Part 68 Rules

Electrical specifications at 25° C

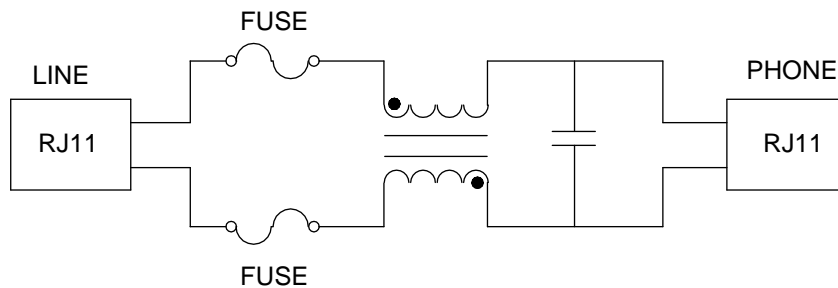
Model No.	Configuration	Cutoff frequency -3dB	Attenuation (dB)		Insertion Loss 200Hz to 4kHz (dB)	Pass Band Ripple 200Hz to 4kHz (dB)	D.C.R. Each Line (ohms max.)	Return Loss At1kHz 600ohms ref. (dB)
			20kHz	40kHz				
UT20141(L)	With Fuse	12kHz	9.0	20.0	0.5	±0.5	4.0	27
UT20142(L)	W/O Fuse	12kHz	9.0	20.0	0.5	±0.5	4.0	27

Note : Inductance test condition : 1KHz 100mVrms and with DC bias 100mA

The Fuse is 250V/700mA

UT20141L and UT20142L line side with cable

Circuits:



DATA SHEET 11-20 JUL./04
1 OF 2

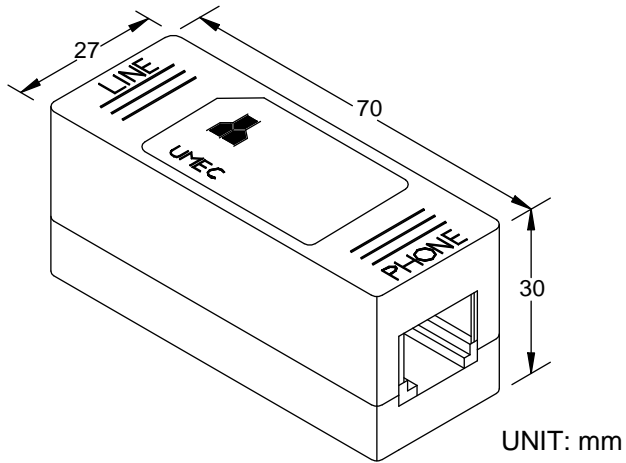
UNIVERSAL MICROELECTRONICS CO.,LTD.
TEL:886-4-23590096 FAX:886-4-23590129

3,27TH RD.,TAICHUNG INDUSTRIAL PARK,
TAICHUNG,TAIWAN,R.O.C

POTS FILTERS

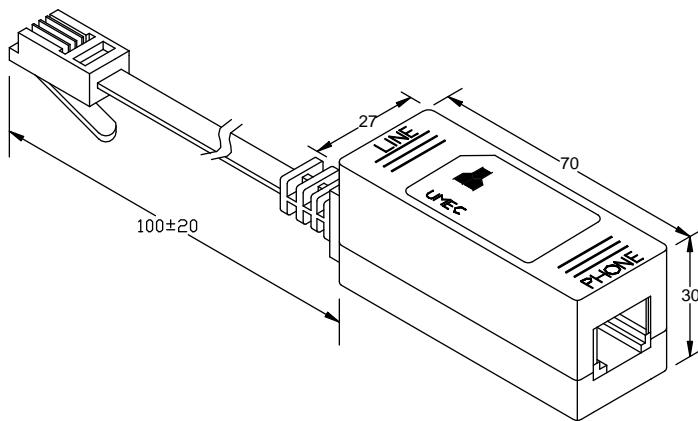
For DSL Applications

Dimensions : **UT20141**
UT20142



Connector/Function	Style	Tip	Ring
LINE	RJ11	Pin 3	Pin 4
PHONE	RJ11	Pin 3	Pin 4

Dimensions : **UT20141L**
UT20142L



UNIT: mm

Connector/Function	Style	Tip	Ring
LINE	CABLE (6P4C)	Pin 3	Pin 4
PHONE	RJ11	Pin 3	Pin 4

DATA SHEET 11-20 JUL./04
2 OF 2