

POTS FILTERS

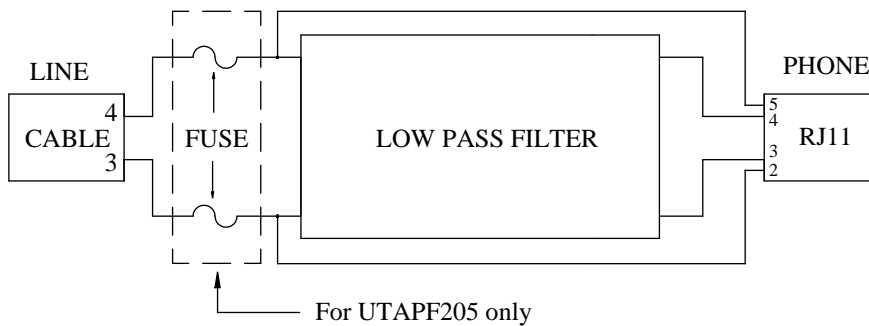
The Best Performance For DSL Applications

- Filter design is compliant with all ADSL, RADSL, SDSL and VDSL coding standards
- Operating temperature range of -40° to 70°
- Packages design includes cable and RJ-11 connectors for easy installation
- Meets UL, CSA and TUV safety standard
- UL 1950 compliant
- Meets FCC Part 68 Rules

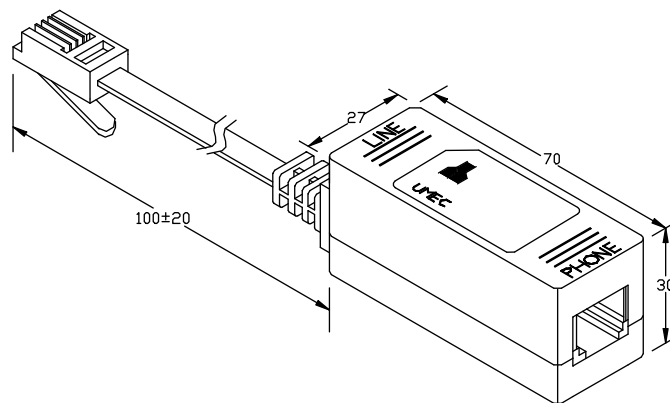
Electrical specifications at 25° C

Model No.	Insertion Loss 200Hz to 4KHz (dB max.)	Cutoff frequency -3dB	Attenuation (dB min.)				Pass Band Ripple 200Hz to 4KHz (dB)	Return Loss At1KHz 600ohms ref. (dB min.)
			20KHz	25KHz	48KHz	1MHz		
UTAPF201	0.5	9.5KHz±10%	25.0	35.0	55.0	30.0	±0.5	25.0
UTAPF205	0.5	9.5KHz±10%	25.0	35.0	55.0	30.0	±0.5	25.0

Circuits:



Dimensions :



UNIT: mm

Connector/Function	Style	Tip	Ring
LINE	CABLE (6P4C)	Pin 3	Pin 4
PHONE	RJ11	Pin 3	Pin 4

DATA SHEET 13-20 JUL./04
1 OF 1



UNIVERSAL MICROELECTRONICS CO.,LTD.
TEL:886-4-23590096 FAX:886-4-23590129

3,27TH RD.,TAICHUNG INDUSTRIAL PARK,
TAICHUNG,TAIWAN,R.O.C