

SMD POWER INDUCTORS

RH4D28, RH5D18, RH6D38, RH104R Series

- 1 These series are characterized by low profile, low DC resistance, and high current handling capacities.
- 1 There are magnetically shielded and can be used in high-density mounting configurations.
- 1 Provided in embossed carrier tape packaging for use with automatic mounting machines.
- 1 Operating temperature range: $-40^{\circ}\text{C} \sim +100^{\circ}\text{C}$
- 1 Storage temperature range: $-40^{\circ}\text{C} \sim +100^{\circ}\text{C}$

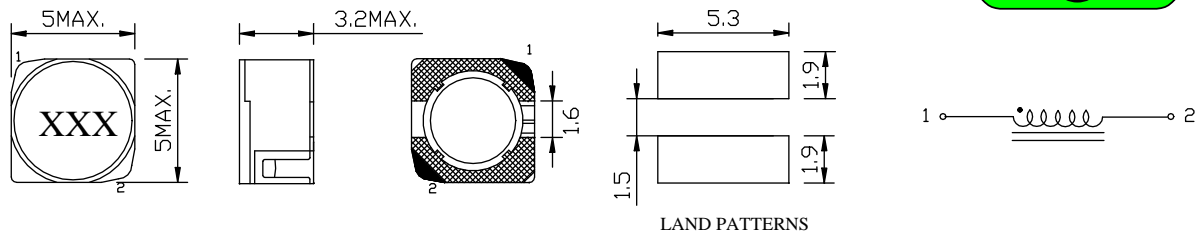
ELECTRICAL SPECIFICATIONS @25°C

UMEC MODEL NUMBER	L (μH) $\pm 30\%$ INDUCTANCE	L TEST FREQUENCY	DCR (Ω) Max.	IDC (A) Max.
RH4D28-1R2	1.2	100kHz	0.0236	2.56
RH4D28-1R8	1.8	100kHz	0.0275	2.20
RH4D28-2R2	2.2	100kHz	0.0313	2.04
RH4D28-2R7	2.7	100kHz	0.0433	1.60
RH4D28-3R3	3.3	100kHz	0.0492	1.57
RH4D28-3R9	3.9	100kHz	0.0648	1.44
RH4D28-4R7	4.7	100kHz	0.0720	1.32
RH4D28-5R6	5.6	100kHz	0.1009	1.17
RH4D28-6R8	6.8	100kHz	0.1089	1.12
RH4D28-8R2	8.2	100kHz	0.1175	1.04
RH4D28-100	10	100kHz	0.1283	1.00
RH4D28-120	12	100kHz	0.1316	0.84
RH4D28-150	15	100kHz	0.1490	0.76
RH4D28-180	18	100kHz	0.1660	0.72
RH4D28-220	22	100kHz	0.2350	0.70
RH4D28-270	27	100kHz	0.2610	0.58
RH4D28-330	33	100kHz	0.3780	0.56
RH4D28-390	39	100kHz	0.3837	0.50
RH4D28-470	47	100kHz	0.5870	0.48
RH4D28-560	56	100kHz	0.6245	0.41
RH4D28-680	68	100kHz	0.6990	0.35
RH4D28-820	82	100kHz	0.9148	0.32
RH4D28-101	100	100kHz	1.02	0.29
RH4D28-121	120	100kHz	1.27	0.27
RH4D28-151	150	100kHz	1.35	0.24
RH4D28-181	180	100kHz	1.54	0.22

1. Inductance tested at 10KHz, 1V, L_s
2. The rated current indicates the current when the inductance decreases to 65% of initial value or DC current when the temperature of coil is increased by 30°C , The smaller one is defined as rated current.
3. For RoHS compliant products: a.)The Ordering Code: TG-Model No. ex. TG-RH4D28-1R2
b.)Solder : Sn/Ag/Cu c.)Date Code suffix to "G" (xxxxG)



DIMENSION & DRAWING



DATA SHEET 16-30 DEC./06
1 OF 4



UNIVERSAL MICROELECTRONICS CO.,LTD.
TEL:886-4-23590096 FAX:886-4-23590129

3,27TH RD.,TAICHUNG INDUSTRIAL PARK,
TAICHUNG,TAIWAN,R.O.C

SMD POWER INDUCTORS

RH4D28, RH5D18, RH6D38, RH104R Series

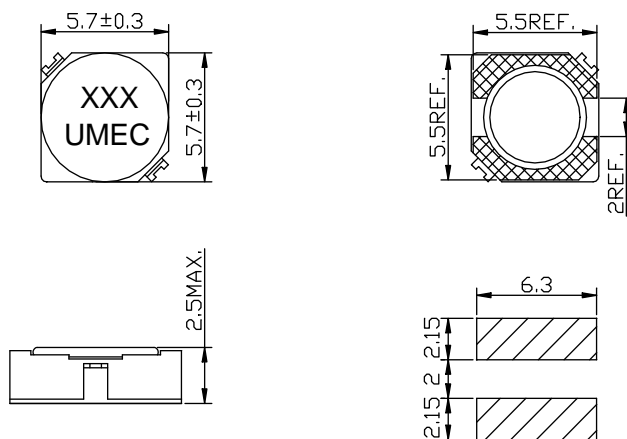
- 1 These series are characterized by low profile, low DC resistance, and high current handling capacities.
- 1 There are magnetically shielded and can be used in high-density mounting configurations.
- 1 Provided in embossed carrier tape packaging for use with automatic mounting machines.
- 1 Operating temperature range: $-40^{\circ}\text{C} \sim +100^{\circ}\text{C}$
- 1 Storage temperature range: $-40^{\circ}\text{C} \sim +100^{\circ}\text{C}$

ELECTRICAL SPECIFICATIONS @25°C

UMEC MODEL NUMBER	L (μH) INDUCTANCE	L TEST FREQUENCY	DCR (Ω) Max.	IDC (A) Max.
RH5D18-4R1	4.1	10kHz	0.057	1.95
RH5D18-5R4	5.4	10kHz	0.076	1.60
RH5D18-6R2	6.2	10kHz	0.096	1.40
RH5D18-8R9	8.9	10kHz	0.116	1.25
RH5D18-100	10	10kHz	0.124	1.20
RH5D18-120	12	10kHz	0.153	1.10
RH5D18-150	15	10kHz	0.196	0.97
RH5D18-180	18	10kHz	0.210	0.85
RH5D18-220	22	10kHz	0.290	0.80
RH5D18-270	27	10kHz	0.330	0.75
RH5D18-330	33	10kHz	0.386	0.65
RH5D18-390	39	10kHz	0.520	0.57
RH5D18-470	47	10kHz	0.595	0.54
RH5D18-560	56	10kHz	0.665	0.50
RH5D18-680	68	10kHz	0.840	0.43
RH5D18-820	82	10kHz	0.978	0.41
RH5D18-101	100	10kHz	1.200	0.36

1. Inductance tested at 10KHz, 1V, L_s
2. The rated current indicates the current when the inductance decreases to 65% of initial value or DC current when the temperature of coil is increased by 30°C , The smaller one is defined as rated current.
3. For RoHS compliant products: a.)The Ordering Code: TG-Model No. ex. TG-RH5D18-4R1
b.)Solder : Sn/Ag/Cu c.)Date Code suffix to "G" (xxxxG)

DIMENSION & DRAWING



LAND PATTERNS

DATA SHEET 16-30 DEC./06
2 OF 4

SMD POWER INDUCTORS

RH4D28, RH5D18, RH6D38, RH104R Series

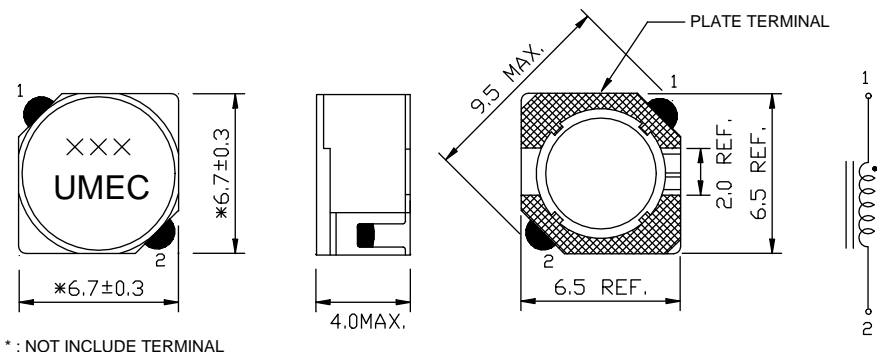
- 1 These series are characterized by low profile, low DC resistance, and high current handling capacities.
- 1 There are magnetically shielded and can be used in high-density mounting configurations.
- 1 Provided in embossed carrier tape packaging for use with automatic mounting machines.
- 1 Operating temperature range: $-40^{\circ}\text{C} \sim +100^{\circ}\text{C}$
- 1 Storage temperature range: $-40^{\circ}\text{C} \sim +100^{\circ}\text{C}$

ELECTRICAL SPECIFICATIONS @25°C

UMEC MODEL NUMBER	MARK	$L \pm 30\%^1$ (μH)	DCR(Ω) Max.	I_{rat}^2 (A 2)
RH6D38-3R3	3R3	3.3	0.02	3.5
RH6D38-5R0	5R0	5.0	0.024	2.9
RH6D38-6R2	6R2	6.2	0.027	2.5
RH6D38-7R4	7R4	7.4	0.031	2.3
RH6D38-8R7	8R7	8.7	0.034	2.2
RH6D38-100	100	10	0.038	2.0
RH6D38-120	120	12	0.053	1.7
RH6D38-150	150	15	0.057	1.6
RH6D38-180	180	18	0.092	1.5
RH6D38-220	220	22	0.096	1.3
RH6D38-270	270	27	0.109	1.2
RH6D38-330	330	33	0.124	1.1
RH6D38-390	390	39	0.138	1.0
RH6D38-470	470	47	0.155	0.95
RH6D38-560	560	56	0.202	0.85
RH6D38-680	680	68	0.234	0.75
RH6D38-820	820	82	0.324	0.7
RH6D38-101	101	100	0.358	0.65

1. Inductance tested at 10KHz, 1V, L_s
2. The rated current indicates the current when the inductance decreases to 65% of initial value or DC current when the temperature of coil is increased by 30°C , The smaller one is defined as rated current.
3. For RoHS compliant products: a.) The Ordering Code: TG-Model No. ex. TG-RH6D38-3R3
b.) Solder : Sn/Ag/Cu c.) Date Code suffix to "G" (xxxxG)

DIMENSION & DRAWING



SMD POWER INDUCTORS

RH4D28, RH5D18, RH6D38, RH104R Series

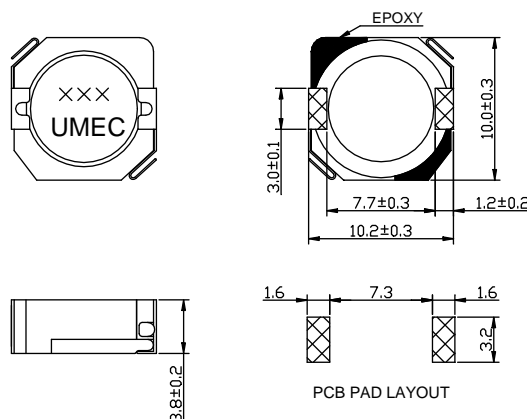
- 1 These series are characterized by low profile, low DC resistance, and high current handling capacities.
- 1 There are magnetically shielded and can be used in high-density mounting configurations.
- 1 Provided in embossed carrier tape packaging for use with automatic mounting machines.
- 1 Operating temperature range: $-40^{\circ}\text{C} \sim +100^{\circ}\text{C}$
- 1 Storage temperature range: $-40^{\circ}\text{C} \sim +100^{\circ}\text{C}$

ELECTRICAL SPECIFICATIONS @25°C

UMEC MODEL NUMBER	MARK	$L \pm 30\%^1$ (μH)	DCR(Ω) Max.	I_{sat}^2 (A \cdot c)	I_{rat}^3 (A \cdot c)
RH104R-1R5	1R5	1.5	0.008	10.0	6.5
RH104R-2R5	2R5	2.5	0.011	7.5	6.1
RH104R-3R8	3R8	3.8	0.013	6.0	5.5
RH104R-5R2	5R2	5.2	0.022	5.5	5.4
RH104R-7R0	7R0	7.0	0.027	4.8	4.5
RH104R-100	100	10	0.035	4.4	3.8
RH104R-150	150	15	0.050	3.6	3.1
RH104R-220	220	22	0.073	2.9	2.5
RH104R-330	330	33	0.093	2.3	2.2
RH104R-470	470	47	0.128	2.1	1.9
RH104R-680	680	68	0.213	1.5	1.42
RH104R-101	101	100	0.304	1.35	1.25
RH104R-151	151	150	0.506	1.15	0.85
RH104R-221	221	220	0.756	0.92	0.7
RH104R-331	331	330	1.09	0.70	0.52

- 1. Inductance tested at 100KHz, 1V.
- 2. The current when the inductance decreases to 65% of initial value.
- 3. The current when the temperature of coil is increased by 30°C.
- 4. For RoHS compliant products: a.)The Ordering Code: TG-Model No. ex. TG-RH104R-1R5
b.)Solder : Sn/Ag/Cu c.)Date Code suffix to "G" (xxxxG)

DIMENSION & DRAWING



*Specifications are subject to change without prior notice.

DATA SHEET 16-30 DEC./06
4 OF 4