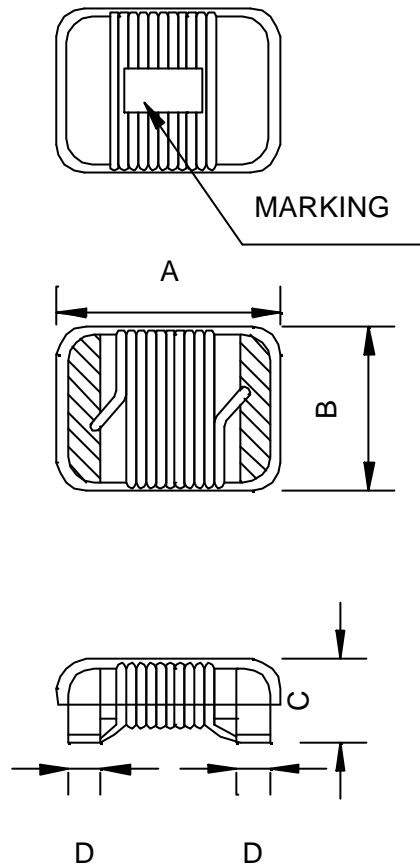


CHIP INDUCTORS

HLQC0402/0603/0805/1008 Series; CLQC0805/1008 Series

DIMENSION & DRAWING



UNIT:mm

MODEL NAME	A	B	C	D
HLQC0402-***	1.19MAX.	0.64MAX.	0.66MAX.	0.23±0.1
HLQC0603-***	1.8MAX.	1.2MAX.	1.2MAX.	0.35±0.1
H(C)LQC0805-***	2.4MAX.	1.6MAX.	1.4MAX.	0.44±0.1
H(C)LQC1008-***	2.92MAX.	2.79MAX.	2.03MAX.	0.55±0.1

Material (H:ceranuc, C:ferrite)

DATA SHEET 19-30 OCT./06
1 OF 6



UNIVERSAL MICROELECTRONICS CO.,LTD.
TEL:886-4-23590096 FAX:886-4-23590129

3,27TH RD.,TAICHUNG INDUSTRIAL PARK,
TAICHUNG,TAIWAN,R.O.C

CHIP INDUCTORS

HLQC0402/0603/0805/1008 Series; CLQC0805/1008 Series

- High frequency applications.
- Narrow accurate range in tolerance application; 2% tolerance is available for particular inductance values.
- Small footprint as well as low profile.
- High quality factor.
- Tolerance: K=±10%, J=±5%, G=±2%

ELECTRICAL SPECIFICATIONS @25°C

MODEL NUMBER	L (nH) INDUCTANCE	L TEST FREQUENCY	L TOLERANCE	Q MIN	Q TEST FREQUENCY	DCR (W) MAX	SRF (MHz) MIN	IDC (mA) MAX
HLQC0402-1N0	1.0	250MHz	K,J	16	250MHz	0.054	7000	1360
HLQC0402-2N0	2.0	250MHz	K,J	16	250MHz	0.084	7000	1040
HLQC0402-2N2	2.2	250MHz	K,J	19	250MHz	0.084	7000	960
HLQC0402-3N3	3.3	250MHz	K,J	19	250MHz	0.079	7000	840
HLQC0402-3N9	3.9	250MHz	K,J	19	250MHz	0.079	6000	840
HLQC0402-5N2	5.2	250MHz	K,J	20	250MHz	0.120	4800	640
HLQC0402-5N6	5.6	250MHz	K,J	20	250MHz	0.099	4700	760
HLQC0402-6N8	6.8	250MHz	K,J	20	250MHz	0.099	4800	680
HLQC0402-8N2	8.2	250MHz	K,J	21	250MHz	0.136	4400	680
HLQC0402-10N	10	250MHz	K,J	21	250MHz	0.240	3900	480
HLQC0402-12N	12	250MHz	K,J	24	250MHz	0.168	3600	640
HLQC0402-15N	15	250MHz	K,J	24	250MHz	0.204	3300	560
HLQC0402-18N	18	250MHz	K,J	24	250MHz	0.276	3100	420
HLQC0402-22N	22	250MHz	K,J	24	250MHz	0.360	2800	400
HLQC0402-27N	27	250MHz	K,J	24	250MHz	0.360	2500	400
HLQC0402-33N	33	250MHz	K,J	24	250MHz	0.450	2400	400
HLQC0402-39N	39	250MHz	K,J	25	250MHz	0.660	2100	200
HLQC0402-43N	43	250MHz	K,J	25	250MHz	0.744	2000	175
HLQC0402-47N	47	250MHz	K,J	20	250MHz	0.792	2100	175
HLQC0402-56N	56	250MHz	K,J	22	250MHz	0.780	1800	175
HLQC0402-68N	68	250MHz	K,J	22	250MHz	0.912	1600	150

* For RoHS compliant products: a.)The Ordering Code: TG-Model No. ex. TG-HLQC0402-1N0
b.)Solder : Sn/Ag/Cu c.)Date Code suffix to "G" (xxxxG)



DATA SHEET 19-30 OCT./06
2 OF 6



UNIVERSAL MICROELECTRONICS CO.,LTD.
TEL:886-4-23590096 FAX:886-4-23590129

3,27TH RD.,TAICHUNG INDUSTRIAL PARK,
TAICHUNG,TAIWAN,R.O.C

CHIP INDUCTORS

HLQC0402/0603/0805/1008 Series; CLQC0805/1008 Series

ELECTRICAL SPECIFICATIONS @25°C

MODEL NUMBER	L (nH) INDUCTANCE	L TEST FREQUENCY	L TOLERANCE	Q MIN	Q TEST FREQUENCY	DCR (W) MAX	SRF (MHz) MIN	IDC (mA) MAX
HLQC0603-2N0	2.0	250MHz	K,J	13	250MHz	0.07	8000	700
HLQC0603-3N9	3.9	250MHz	K,J	22	250MHz	0.07	6900	700
HLQC0603-4N7	4.7	250MHz	K,J	20	250MHz	0.12	5800	700
HLQC0603-6N8	6.8	250MHz	K,J	27	250MHz	0.08	5800	700
HLQC0603-8N2	8.2	250MHz	K,J	30	250MHz	0.13	4000	700
HLQC0603-10N	10	250MHz	K,J	31	250MHz	0.13	4800	700
HLQC0603-12N	12	250MHz	K,J	35	250MHz	0.13	4000	700
HLQC0603-15N	15	250MHz	K,J	35	250MHz	0.13	4000	700
HLQC0603-18N	18	250MHz	K,J	35	250MHz	0.16	3100	700
HLQC0603-22N	22	250MHz	K,J	38	250MHz	0.23	3000	700
HLQC0603-27N	27	250MHz	K,J	40	250MHz	0.14	2800	600
HLQC0603-33N	33	250MHz	K,J	40	250MHz	0.22	2300	600
HLQC0603-39N	39	250MHz	K,J	40	250MHz	0.30	2200	600
HLQC0603-47N	47	200MHz	K,J	38	200MHz	0.35	2000	600
HLQC0603-56N	56	200MHz	K,J	38	200MHz	0.37	1900	600
HLQC0603-68N	68	200MHz	K,J	37	200MHz	0.43	1700	600
HLQC0603-72N	72	150MHz	K,J	34	150MHz	0.42	1700	400
HLQC0603-82N	82	150MHz	K,J	34	150MHz	0.71	1700	400
HLQC0603-R10	100	150MHz	K,J	34	150MHz	0.78	1400	400
HLQC0603-R12	120	150MHz	K,J	32	150MHz	0.84	1300	300
HLQC0603-R15	150	150MHz	K,J	28	150MHz	0.96	990	280
HLQC0603-R18	180	100MHz	K,J	25	100MHz	1.52	990	240
HLQC0603-R22	220	100MHz	K,J	25	100MHz	2.02	900	200
HLQC0603-R27	270	100MHz	K,J	24	100MHz	2.36	900	170
HLQC0603-R39	390	100MHz	K,J	24	100MHz	3.60	900	100

* For RoHS compliant products: a.)The Ordering Code: TG-Model No. ex. TG-HLQC0603-2N0
b.)Solder : Sn/Ag/Cu c.)Date Code suffix to "G" (xxxxG)



DATA SHEET 19-30 OCT./06
3 OF 6



UNIVERSAL MICROELECTRONICS CO.,LTD.
TEL:886-4-23590096 FAX:886-4-23590129

3,27TH RD.,TAICHUNG INDUSTRIAL PARK,
TAICHUNG,TAIWAN,R.O.C

CHIP INDUCTORS

HLQC0402/0603/0805/1008 Series; CLQC0805/1008 Series

ELECTRICAL SPECIFICATIONS @25°C

MODEL NUMBER	L (nH) INDUCTANCE	L TEST FREQUENCY	L TOLERANCE	Q MIN	Q TEST FREQUENCY	DCR (W) MAX	SRF (MHz) MIN	IDC (mA) MAX
HLQC0805-2N0	2.0	250MHz	K,J	70	1500MHz	0.03	8000	800
HLQC0805-3N9	3.9	250MHz	K,J	70	1500MHz	0.04	5750	800
HLQC0805-4N7	4.7	250MHz	K,J	70	1500MHz	0.04	5750	800
HLQC0805-6N8	6.8	250MHz	K,J	70	1500MHz	0.06	5500	800
HLQC0805-7N5	7.5	250MHz	K,J	70	1000MHz	0.06	4500	800
HLQC0805-8N2	8.2	250MHz	K,J	70	1000MHz	0.06	4700	800
HLQC0805-10N	10	250MHz	K,J	70	1000MHz	0.08	4200	600
HLQC0805-12N	12	250MHz	K,J	80	1000MHz	0.08	4000	600
HLQC0805-15N	15	250MHz	K,J	80	1000MHz	0.10	3400	600
HLQC0805-18N	18	250MHz	K,J	80	1000MHz	0.10	3300	600
HLQC0805-22N	22	250MHz	K,J	60	500MHz	0.12	2600	600
HLQC0805-24N	24	250MHz	K,J	60	500MHz	0.12	2000	600
HLQC0805-27N	27	250MHz	K,J	60	500MHz	0.12	2500	600
HLQC0805-33N	33	250MHz	K,J	60	500MHz	0.13	2050	600
HLQC0805-36N	36	250MHz	K,J	65	500MHz	0.13	1700	600
HLQC0805-39N	39	250MHz	K,J	65	500MHz	0.15	2000	600
HLQC0805-43N	43	250MHz	K,J	65	500MHz	0.15	1650	600
HLQC0805-47N	47	200MHz	K,J	65	500MHz	0.17	1650	600
HLQC0805-56N	56	200MHz	K,J	65	500MHz	0.19	1550	600
HLQC0805-68N	68	200MHz	K,J	60	500MHz	0.22	1450	500
HLQC0805-82N	82	150MHz	K,J	55	500MHz	0.40	1300	400
HLQC0805-R10	100	150MHz	K,J	55	500MHz	0.52	1200	400
HLQC0805-R12	120	150MHz	K,J	50	250MHz	0.55	1100	400
HLQC0805-R15	150	150MHz	K,J	50	250MHz	0.73	920	400
HLQC0805-R18	180	100MHz	K,J	50	500MHz	0.88	870	400
HLQC0805-R22	220	100MHz	K,J	50	500MHz	1.18	850	340
HLQC0805-R24	240	100MHz	K,J	48	250MHz	1.20	690	330
HLQC0805-R27	270	100MHz	K,J	48	250MHz	1.36	650	310
HLQC0805-R33	330	100MHz	K,J	40	250MHz	1.40	600	300
HLQC0805-R39	390	100MHz	K,J	25	250MHz	1.50	560	290
HLQC0805-R47	470	50MHz	K,J	25	100MHz	1.76	375	250
HLQC0805-R56	560	25MHz	K,J	23	100MHz	1.90	340	210
HLQC0805-R62	620	25MHz	K,J	23	100MHz	2.00	220	205
HLQC0805-R68	680	25MHz	K,J	23	100MHz	2.15	200	200
HLQC0805-R75	750	25MHz	K,J	20	100MHz	2.25	200	185
HLQC0805-R82	820	25MHz	K,J	20	100MHz	2.50	200	170
HLQC0805-1R0	1000	25MHz	K,J	15	50MHz	2.60	200	170

Green Product



* For RoHS compliant products: a.)The Ordering Code: TG-Model No. ex. TG-HLQC0805-2N0
b.)Solder : Sn/Ag/Cu c.)Date Code suffix to "G" (xxxxG)

DATA SHEET 19-30 OCT./06

4 OF 6



UNIVERSAL MICROELECTRONICS CO.,LTD.
TEL:886-4-23590096 FAX:886-4-23590129

3,27TH RD.,TAICHUNG INDUSTRIAL PARK,
TAICHUNG,TAIWAN,R.O.C

CHIP INDUCTORS

HLQC0402/0603/0805/1008 Series; CLQC0805/1008 Series

ELECTRICAL SPECIFICATIONS @25°C

MODEL NUMBER	L (nH) INDUCTANCE	L TEST FREQUENCY	L TOLERANCE	Q MIN	Q TEST FREQUENCY	DCR (W) MAX	SRF (MHz) MIN	IDC (mA) MAX
HLQC1008-3N9	3.9	50MHz	K,J	60	1500MHz	0.08	5000	1000
HLQC1008-10N	10	50MHz	K,J	50	500MHz	0.08	4100	1000
HLQC1008-15N	15	50MHz	K,J	50	500MHz	0.10	2500	1000
HLQC1008-18N	18	50MHz	K,J	50	350MHz	0.10	2400	1000
HLQC1008-22N	22	50MHz	K,J	55	350MHz	0.13	2400	1000
HLQC1008-24N	24	50MHz	K,J	55	350MHz	0.13	1900	1000
HLQC1008-27N	27	50MHz	K,J	55	350MHz	0.13	1600	1000
HLQC1008-33N	33	50MHz	K,J	60	350MHz	0.15	1600	1000
HLQC1008-39N	39	50MHz	K,J	60	350MHz	0.15	1500	1000
HLQC1008-47N	47	50MHz	K,J	65	350MHz	0.18	1500	1000
HLQC1008-56N	56	50MHz	K,J	65	350MHz	0.21	1300	1000
HLQC1008-68N	68	50MHz	K,J	65	350MHz	0.21	1300	1000
HLQC1008-75N	75	50MHz	K,J	60	350MHz	0.24	1100	1000
HLQC1008-82N	82	50MHz	K,J	60	350MHz	0.24	1000	1000
HLQC1008-R10	100	25MHz	K,J	60	350MHz	0.37	1000	650
HLQC1008-R12	120	25MHz	K,J	60	350MHz	0.42	950	600
HLQC1008-R15	150	25MHz	K,J	45	500MHz	0.46	850	580
HLQC1008-R18	180	25MHz	K,J	45	500MHz	0.55	750	620
HLQC1008-R22	220	25MHz	K,J	45	500MHz	0.58	700	500
HLQC1008-R24	240	25MHz	K,J	45	500MHz	0.68	650	500
HLQC1008-R27	270	25MHz	K,J	45	500MHz	0.73	600	500
HLQC1008-R30	300	25MHz	K,J	45	500MHz	0.78	585	450
HLQC1008-R33	330	25MHz	K,J	45	250MHz	0.82	570	450
HLQC1008-R36	360	25MHz	K,J	45	250MHz	0.88	530	470
HLQC1008-R39	390	25MHz	K,J	45	500MHz	0.92	500	470
HLQC1008-R47	470	25MHz	K,J	45	500MHz	1.00	450	470
HLQC1008-R56	560	25MHz	K,J	45	250MHz	1.33	415	580
HLQC1008-R62	620	25MHz	K,J	45	250MHz	1.40	375	300
HLQC1008-R68	680	25MHz	K,J	45	250MHz	1.47	375	540
HLQC1008-R75	750	25MHz	K,J	45	250MHz	1.54	360	360
HLQC1008-R82	820	25MHz	K,J	45	100MHz	1.61	350	400
HLQC1008-R91	910	25MHz	K,J	35	100MHz	1.68	320	380
HLQC1008-1R0	1000	25MHz	K,J	35	100MHz	1.75	290	370
HLQC1008-1R2	1200	7.9MHz	K,J	30	100MHz	2.00	250	340
HLQC1008-1R5	1500	7.9MHz	K,J	28	100MHz	2.23		330
HLQC1008-4R7	4700	7.9MHz	K,J	20	25MHz	6.30		260

Green Product



* For RoHS compliant products: a.)The Ordering Code: TG-Model No. ex. TG-HLQC1008-3N9
 b.)Solder : Sn/Ag/Cu c.)Date Code suffix to "G" (xxxxG)

DATA SHEET 19-30 OCT./06
 5 OF 6



UNIVERSAL MICROELECTRONICS CO.,LTD.
 TEL:886-4-23590096 FAX:886-4-23590129

3,27TH RD.,TAICHUNG INDUSTRIAL PARK,
 TAICHUNG,TAIWAN,R.O.C

CHIP INDUCTORS

HLQC0402/0603/0805/1008 Series; CLQC0805/1008 Series

ELECTRICAL SPECIFICATIONS @25°C

MODEL NUMBER	L (nH) INDUCTANCE	L TEST FREQUENCY	L TOLERANCE	Q MIN	Q TEST FREQUENCY	DCR (W) MAX	SRF (MHz) MIN	IDC (mA) MAX
CLQC0805-R33	330	100MHz	K,J	35	100MHz	0.60	630	400
CLQC0805-R39	390	100MHz	K,J	35	100MHz	0.66	580	350
CLQC0805-R47	470	100MHz	K,J	35	100MHz	0.72	530	300
CLQC0805-R56	560	25MHz	K,J	35	100MHz	0.81	520	280
CLQC0805-R68	680	25MHz	K,J	34	100MHz	0.86	400	250
CLQC0805-R82	820	25MHz	K,J	34	100MHz	0.92	370	240
CLQC0805-R91	910	25MHz	K,J	33	100MHz	0.98	350	240
CLQC0805-1R0	1000	7.9MHz	K,J	26	50MHz	1.08	320	250
CLQC0805-1R2	1200	7.9MHz	K,J	26	50MHz	1.13	270	220
CLQC0805-1R5	1500	7.9MHz	K,J	25	50MHz	1.73	200	200
CLQC0805-1R8	1800	7.9MHz	K,J	23	50MHz	2.40	150	180
CLQC0805-2R2	2200	7.9MHz	K,J	22	25MHz	2.65	140	130
CLQC0805-2R7	2700	7.9MHz	K,J	10	7.9MHz	2.75	220	120
CLQC0805-3R3	3300	7.9MHz	K,J	10	7.9MHz	2.95	190	100
CLQC1008-R47	470	25MHz	K,J	47	50MHz	0.40	430	800
CLQC1008-R56	560	25MHz	K,J	46	50MHz	0.43	380	770
CLQC1008-R62	620	25MHz	K,J	45	50MHz	0.43	340	770
CLQC1008-R68	680	25MHz	K,J	43	50MHz	0.48	320	750
CLQC1008-R75	750	25MHz	K,J	42	50MHz	0.55	300	730
CLQC1008-R82	820	25MHz	K,J	40	50MHz	0.61	290	710
CLQC1008-R91	910	25MHz	K,J	40	50MHz	0.67	270	690
CLQC1008-1R0	1000	25MHz	K,J	38	50MHz	0.72	260	670
CLQC1008-1R2	1200	7.9MHz	K,J	35	50MHz	0.78	250	650
CLQC1008-1R5	1500	7.9MHz	K,J	35	50MHz	0.85	200	630
CLQC1008-1R8	1800	7.9MHz	K,J	33	50MHz	1.10	170	600
CLQC1008-2R2	2200	7.9MHz	K,J	30	50MHz	1.25	160	520
CLQC1008-2R7	2700	7.9MHz	K,J	27	50MHz	1.50	120	490
CLQC1008-3R3	3300	7.9MHz	K,J	25	50MHz	1.65	120	450
CLQC1008-3R9	3900	7.9MHz	K,J	26	25MHz	1.23	110	420
CLQC1008-4R7	4700	7.9MHz	K,J	25	25MHz	2.55	100	400
CLQC1008-5R6	5600	7.9MHz	K,J	18	7.9MHz	2.65	80	380
CLQC1008-6R8	6800	7.9MHz	K,J	18	7.9MHz	2.90	60	360
CLQC1008-8R2	8200	7.9MHz	K,J	16	7.9MHz	3.20	40	330
CLQC1008-100	10000	7.9MHz	K,J	15	7.9MHz	3.50	60	300

* For RoHS compliant products: a.)The Ordering Code: TG-Model No. ex. TG-CLQC0805-R33
b.)Solder : Sn/Ag/Cu c.)Date Code suffix to "G" (xxxxG)



DATA SHEET 19-30 OCT./06
6 OF 6



UNIVERSAL MICROELECTRONICS CO.,LTD.
TEL:886-4-23590096 FAX:886-4-23590129

3,27TH RD.,TAICHUNG INDUSTRIAL PARK,
TAICHUNG,TAIWAN,R.O.C