

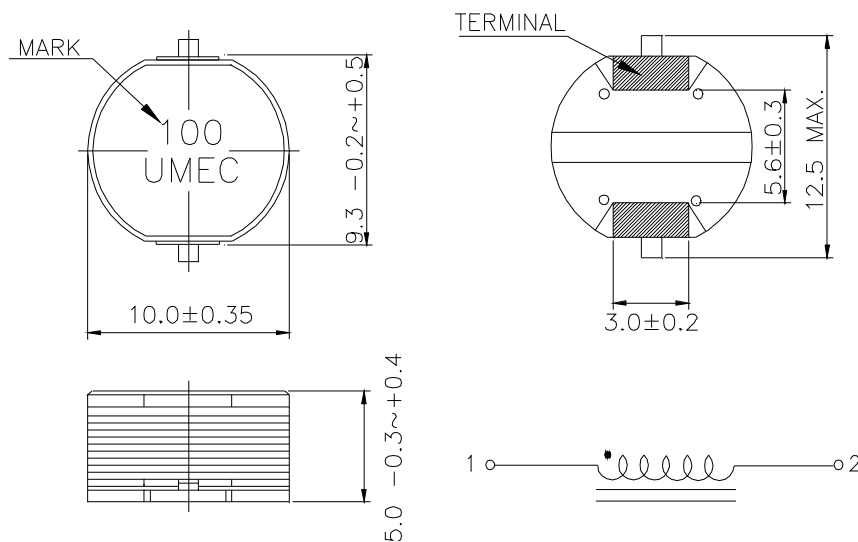
# DATA SHEET

UM MODEL NO.:	SPECIFICATION	REV.	
LBS10-100	SMD POWER INDUCTOR	A0	02/51

## ELECTRICAL SPECIFICATION

1. INDUCTANCE :  $10\mu\text{H}\pm 10\%$  , AT 1KHz , 1V , Ls.
2. THE INDUCTANCE IS 10% LOWER THEN ITS INITIAL VALUE AT RATING DC CURRENT 2.5A.
3. DCR :  $45\text{m}\Omega$  MAX.

## DIMENSION & SCHEMATIC



- NOTE: 1. PACKAGING INFORMATION-TAPE AND REEL  
ACCORDING TO ITEM NO. "LBS10" OF DATA SHEET 01-00
- 2.SPECIFICATIONS ARE SUBJECT TO CHANGE WITHOUT PRIOR NOTICE.

UNIT : mm

E10-007-C



UNIVERSAL MICROELECTRONICS CO.,LTD.  
TEL:886-4-23590096 FAX:886-4-23590129  
<http://www.umec-web.com> E-mail:business@umec.com.tw

3,27TH RD.,TAICHUNG INDUSTRIAL PARK,  
TAICHUNG,TAIWAN,R.O.C