

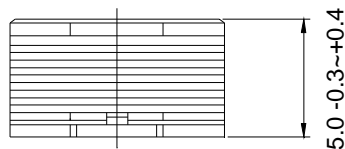
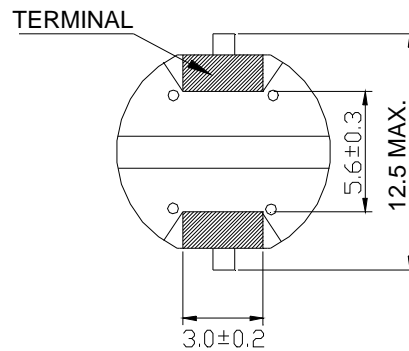
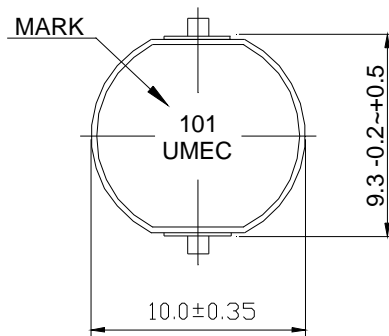
DATA SHEET

UM MODEL NO.:	SPECIFICATION	REV.	
LBS10-101	SMD POWER INDUCTOR	A2	01/29

ELECTRICAL SPECIFICATION

1. INDUCTANCE : $100\mu\text{H}\pm 8\%$, AT 1KHz , 1V , Ls.
2. THE INDUCTANCE IS 10% LOWER THEN ITS INITIAL VALUE AT RATING DC CURRENT 1.1A.
3. DCR : $250\text{m}\Omega$ MAX.

DIMENSION & SCHEMATIC



- NOTE: 1. PACKAGING INFORMATION-TAPE AND REEL
ACCORDING TO ITEM NO. "LBS10" OF DATA SHEET 01-00
- 2.SPECIFICATIONS ARE SUBJECT TO CHANGE WITHOUT PRIOR NOTICE.

UNIT : mm

