

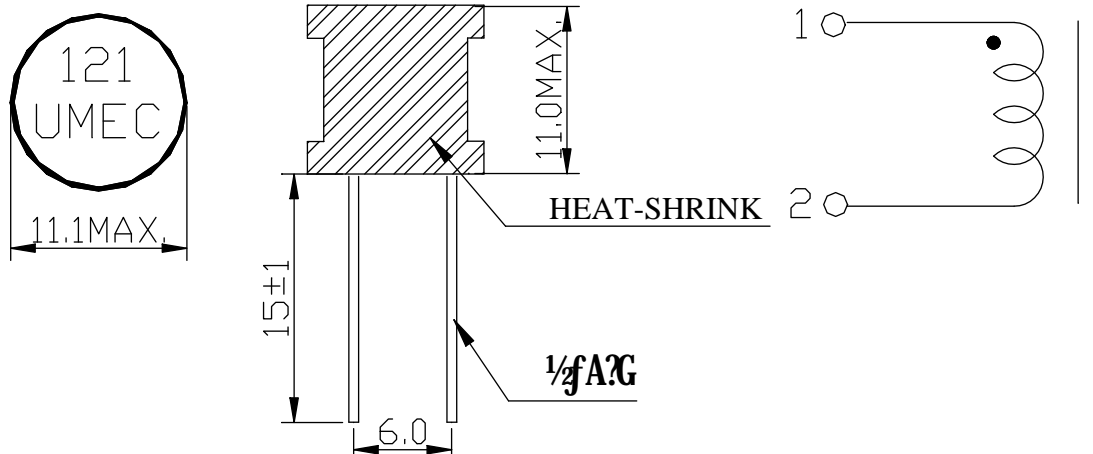
DATA SHEET

UM PART NO.:	SPECIFICATION	REV.	
RCH1010-121	INDUCTOR	A0	00/33

ELECTRICAL SPECIFICATIONS AT 25 °C

1. INDUCTANCE : 120uH±10% AT 1KHz , 1V , PIN(1-2).
2. INDUCTANCE : DOWN 25% MAX. AT 1KHz , 1V , BIAS=1.2Adc , PIN(1-2).
3. D.C.Resistance : 150mΩ MAX. PIN(1-2).

DIMENSIONS & SCHEMATICS



NOTE : SPECIFICATIONS ARE SUBJECT TO CHANGE WITHOUT PRIOR NOTICE.

UNIT : mm

E10-007-B

