

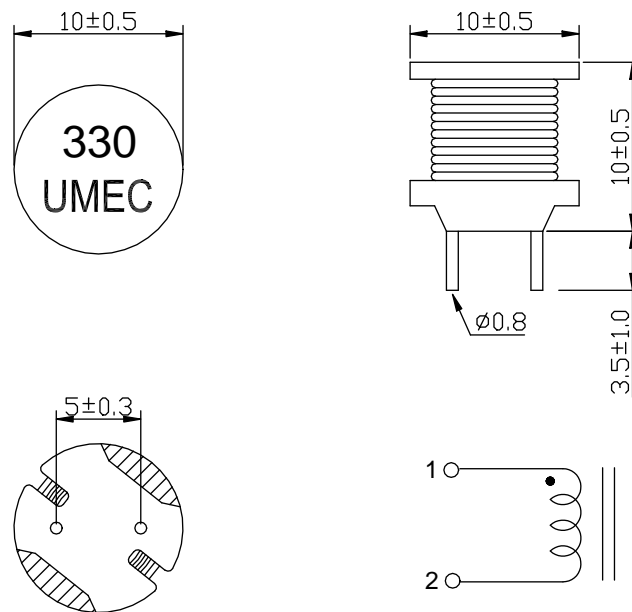
# DATA SHEET

UM PART NO.:	SPECIFICATION	REV.	
RCH1010-330	INDUCTOR	A0	02/04

ELECTRICAL SPECIFICATION AT 25 °C

1. INDUCTANCE : 33uH±10% AT 1KHz , 1V , Ls , PIN(1-2).
2. INDUCTANCE : DOWN25% MAX. AT 1KHz , 1V , BIAS 2.9Adc , Ls , PIN(1-2)
3. D.C.Resistance : 55mΩ MAX. PIN(1-2).

## DIMENSIONS & SCHEMATICS



Note: Specifications are subject to change without prior notice.

UNIT : mm

E10-007-B



UNIVERSAL MICROELECTRONICS CO.,LTD.  
 TEL:886-4-23590096 FAX:886-4-23590129  
<http://www.umec-web.com> E-mail:business@umec.com.tw

3,27TH RD.,TAICHUNG INDUSTRIAL PARK,  
 TAICHUNG,TAIWAN,R.O.C