

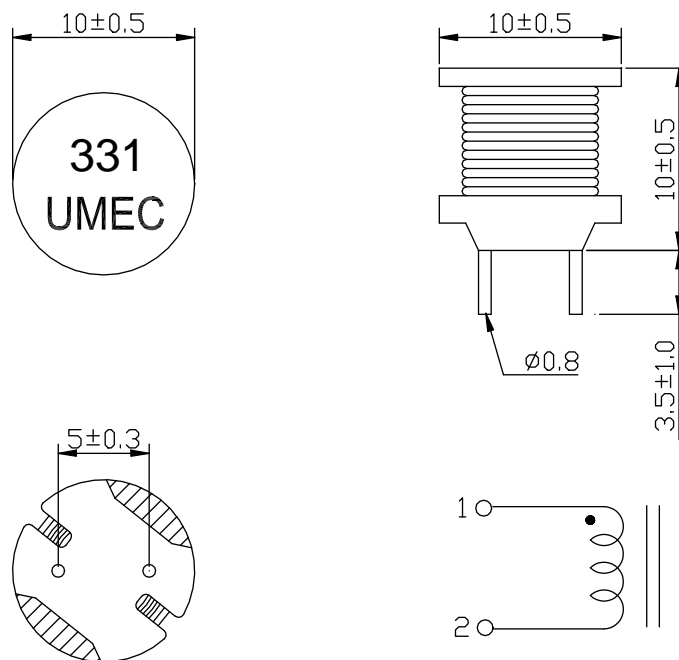
DATA SHEET

UM PART NO.:	SPECIFICATION	REV.	
RCH1010-331	INDUCTOR	A0	02/04

ELECTRICAL SPECIFICATION AT 25 °C

1. INDUCTANCE : 330uH±10% AT 1KHz , 1V , Ls , PIN(1-2).
2. INDUCTANCE : DOWN25% MAX. AT 1KHz , 1V , BIAS 0.93Adc , Ls , PIN(1-2)
3. D.C.Resistance : 520mΩ MAX. PIN(1-2).

DIMENSIONS & SCHEMATICS



Note: Specifications are subject to change without prior notice.

UNIT : mm

E10-007-B