

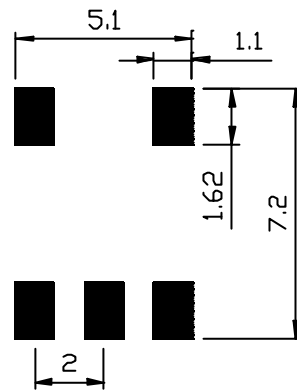
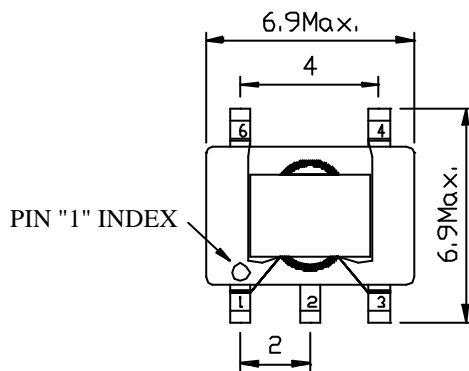
# DATA SHEET

UM MODEL NO.:	SPECIFICATIONS	REV.	
UT10551S	RF TRANSFORMERS	A0	03/16

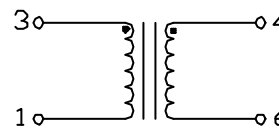
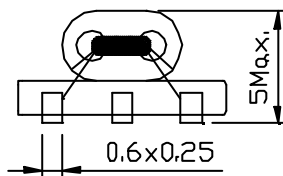
## ELECTRICAL SPECIFICATIONS AT 25 °C :

1. IMPEDANCE RATIO : 1:1±2%, PIN(4-6):(3-1)
2. INSERTION LOSS : 1dB MAX., AT 3.2-180MHz
3. INSERTION LOSS : 2dB MAX., AT 1.2-350MHz
4. INSERTION LOSS : 3dB MAX., AT 0.8-500MHz
5. OPERATING TEMPERATURE RANGE IS -20 TO +85 °C

## DIMENSIONS & SCHEMATICS:



SUGGESTED P.C.B. LAYOUT



UNIT:mm

TOLERANCE:±0.3

- NOTE: 1.PACKAGING INFORMATION-TAPE AND REEL  
 ACCORDING TO ITEM NO. "B632" OF DATA SHEET 01-00  
 2.Specifications are subject to change without prior notice.

E10-007-C



UNIVERSAL MICROELECTRONICS CO.,LTD.  
 TEL:886-4-23590096 FAX:886-4-23590129  
<http://www.umec-web.com> Email:business@umec.com.tw

3,27TH RD.,TAICHUNG INDUSTRIAL PARK,  
 TAICHUNG,TAIWAN,R.O.C