

DATA SHEET

UM MODEL NO.:	SPECIFICATIONS	REV.	
UT12002	10/100BASE-T SINGLE PORT SURFACE MOUNT MAGNETICS	A5	05/28

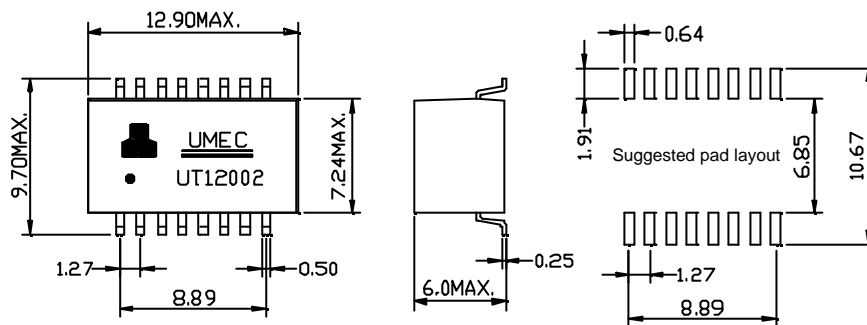
Features:

1. Meets IEEE 802.3 and ANSI X.3.263 standards including 350uH OCL with 8mA bias.
2. Non-RoHS reflow soldering at temperature 230±5°C.
3. RoHS reflow soldering at temperature 245°C(+0°C/-5°C).
4. Compact footprint for use in the most space restrictive applications.
5. Turns Ratio tolerance: ±5%
6. Operating temperature: -40°C to +85°C

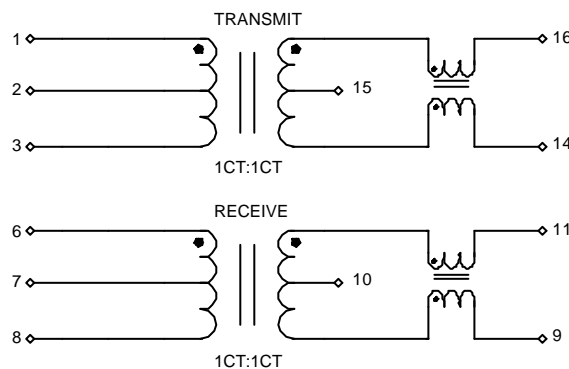
Electrical Specification @25°C :

1. Insertion Loss : -1.1dB Max. @ 0.10--100MHz. TX/RX
2. Return Loss : -20dB Min. @ 30MHz. TX/RX
-14dB Min. @ 60MHz. TX/RX
-11.5dB Min. @ 80MHz. TX/RX
3. Com. to Com. Mode Rejection : -35dB Min. @ 0.1MHz to 100MHz TX/RX
4. Cross Talk : -45dB Min. @ 30MHz. TX to RX
-40dB Min. @ 60MHz. TX to RX
-35dB Min. @ 100MHz. TX to RX.
5. HI-POT : 1500Vrms/2sec. Leakage Current 0.5mA Max./input to output.

Dimensions & Schematic:



Coplanarity: 0.1mm



- NOTE : 1. Packaging Information: Tape and Reel according to Item NO. "SO16A" of data sheet 01-00
 2. For RoHS compliant products:
 a.) The UMEC ordering code: **TG-UT12002**
 b.) Date Code suffix to "G" (xxxxG).
 c.) Solder : Sn/Ag/Cu .
 3. Specifications are subject to change without prior notice.

UNIT: mm

Tolerances±0.25mm



UNIVERSAL MICROELECTRONICS CO.,LTD.
 TEL:886-4-23590096 FAX:886-4-23590129
 http://www.umec-web.com Email:business@umec.com.tw

3,27TH RD.,TAICHUNG INDUSTRIAL PARK,
 TAICHUNG,TAIWAN,R.O.C

E10-007-C