

# DATA SHEET

UM MODEL NO.:	SPECIFICATIONS	REV.	
UT12055	10/100BASE-TX Single Port Magnetic Transformer	B0	06/13

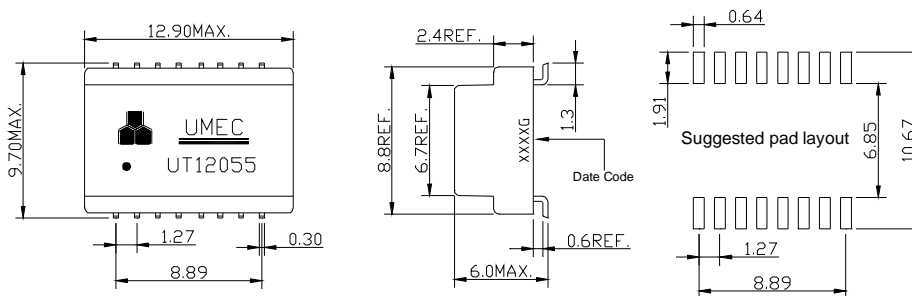
## Features:

1. Meets IEEE 802.3 and ANSI X.3.263 standards with 8mA bias
2. Compact footprint for use in the most space restrictive applications
3. For RoHS Compliant is Designed for reflow soldering at temperature 245°C(+0°C/-5°C)
4. Operating temperature: 0°C to +70°C

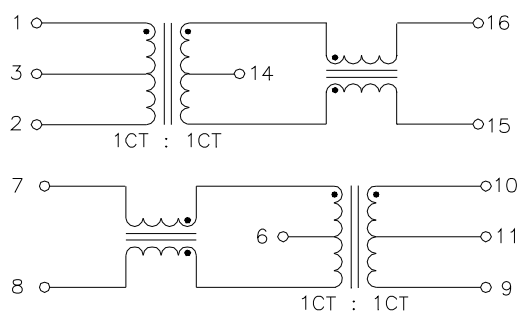
## Electrical Specification @ 25°C:

1. Turns Ratio tolerance: 1CT:1CT±3% @ 100KHz 1Vrms, PIN(1-3-2):(16-14-15); PIN(7-6-8):(10-11-9)
2. Inductance: @ 100KHz 100mV, 8mA DC BIAS  
PIN(1-2): 350uH Min.  
PIN(9-10): 200uH Min.
3. Insertion Loss: -1.2dB Max. @ 100KHz  
-1.0dB Max. @ 1--100MHz
4. Return Loss: -16dB Min. @ 30MHz  
-12dB Min. @ 60MHz  
-10dB Min. @ 80MHz
5. Com. to Com. Mode Rejection: -35dB Min. @ 0.1MHz to 100MHz TX/RX
6. Cross Talk: -40dB Min. @ 30MHz. TX to RX  
-40dB Min. @ 60MHz. TX to RX  
-35dB Min. @ 100MHz. TX to RX
7. Diff to Common Mode Rejection Ratio: -40dB Min. @ 30MHz  
-35dB Min. @ 60MHz  
-30dB Min. @ 80MHz
8. DC Resistance: 0.65ohms Max. PIN(1-3),(3-2),(9-11),(11-10),(7-6),(6-8),(15-14),(14-16)
9. DC Resistance Imbalance Center Tap Symmetry: 0.065ohms Max.
10. Isolation: 1500Vrms/60sec. Leakage Current 1mA Max., .PIN(7-8) to(10-9); PIN(16-15) to(1-2)

## Dimensions & Schematic:



Coplanarity: 0.1mm



Note: 1. Packaging information-tape and reel according to item no. "S016A" of data sheet 01-00

2. For RoHS compliant products:

a.) The UMEC ordering code: **TG-UT12055**

b.) Date Code suffix to "G" (XXXXG).

c.) Solder : Sn/Ag/Cu .

3. Specifications are subject to change without prior notice

UNIT: mm

Tolerances:±0.25mm



UNIVERSAL MICROELECTRONICS CO.,LTD.  
TEL:886-4-23590096 FAX:886-4-23590129  
<http://www.umec-web.com> E-mail:business@umec.com.tw

3,27TH RD.,TAICHUNG INDUSTRIAL PARK,  
TAICHUNG,TAIWAN,R.O.C

E10-007-C