

DATA SHEET

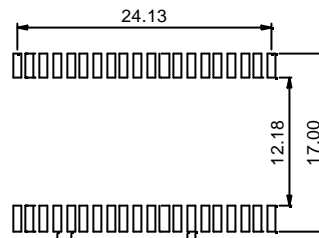
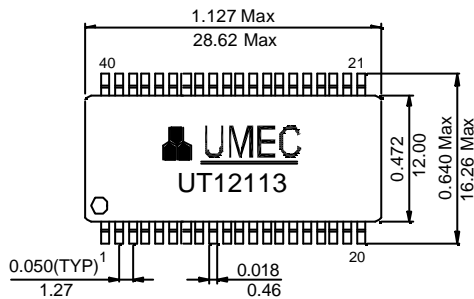
UM MODEL NO.: UT12113	SPECIFICATION	REV.	1 / 1
	FAST ETHERNET 10BASE-T/100BASE-TX QUAD PORT TRANSFORMER MODULES	A3	05 / 44

ELECTRICAL SPECIFICATIONS @25°C :

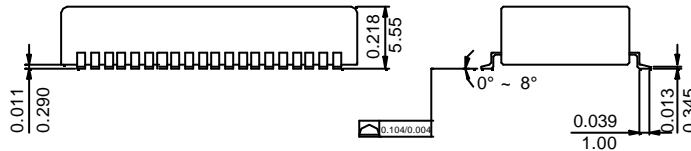
Turns Ratio	Inductance (uH MIN)	Insertion Loss (dB MAX)	Return Loss (dB MIN)		Crosstalk (dB MIN)		Diff. To Com. Mode Rejection (dB MIN)		Com. To Com. Rejection Rrtion (dB TYP)	Rise Time & Fall Time (nsec. MAX)
			1-60 MHz	60-100MHz	1-60 MHz	60-100MHz	1-60 MHz	60-100MHz		
15.75Hz 1V	100KHz 100mV Idc=8mA	1-125MHz	Tx/Rx	Tx/Rx	1-60 MHz	60-100MHz	Tx/Rx	Tx/Rx	0.1-60MHz	
1:1±2%	350	-1.1	-15/-17	-11/-15	-40	-35	-45/-40	-40/-35	-30	5.0

Note: Operating temperature range is -40°C~+85°C. Input to output breakdown (HI-POT) of 1500Vrms.

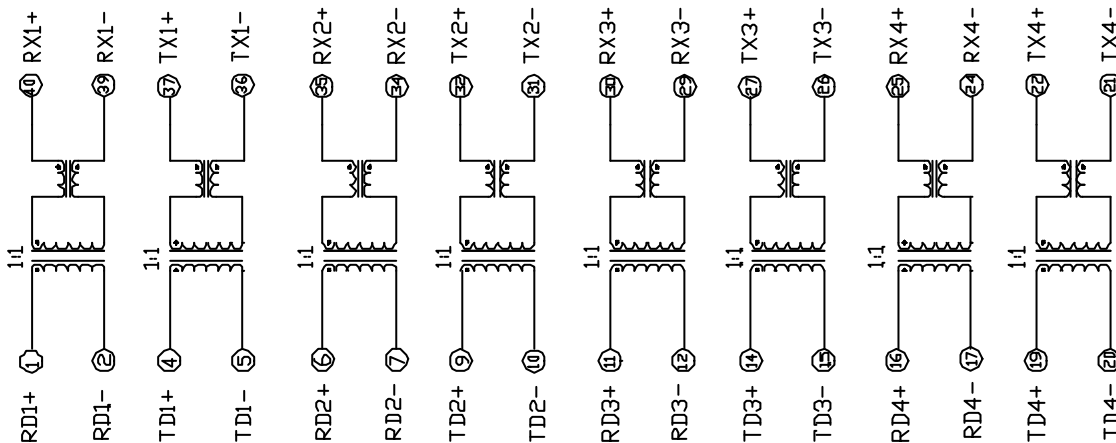
DIMENSIONS & SCHEMATIC :



SUGGESTED PAD LAYOUT



.XXX=±.010 inches
.XX=±.254 mm



- NOTE : 1. Packaging Information-Tape And Reel According To Item No. "SO40" Of Data Sheet 01-00
 2. For RoHS compliant products:
 a.) The UMEC ordering code: **TG-UT12113**
 b.) Date Code suffix to "G" (xxxxG).
 c.) Solder : Sn/Ag/Cu .
 3. Specifications are subject to change without prior notice.

E10-007-C



UNIVERSAL MICROELECTRONICS CO.,LTD.
 TEL:886-4-23590096 FAX:886-4-23590129
 http://www.umec-web.com Email:business@umec.com.tw

3,27TH RD.,TAICHUNG INDUSTRIAL PARK,
 TAICHUNG,TAIWAN,R.O.C