

DATA SHEET

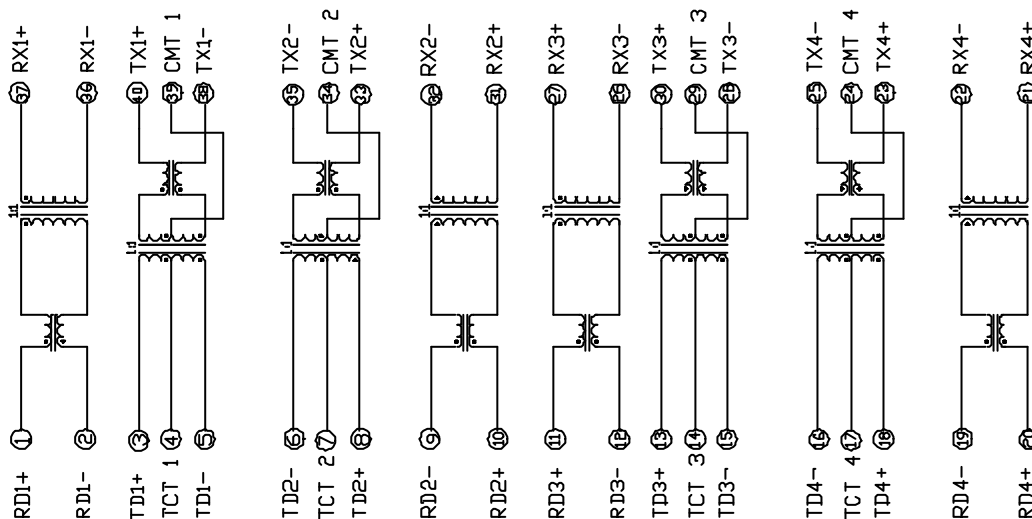
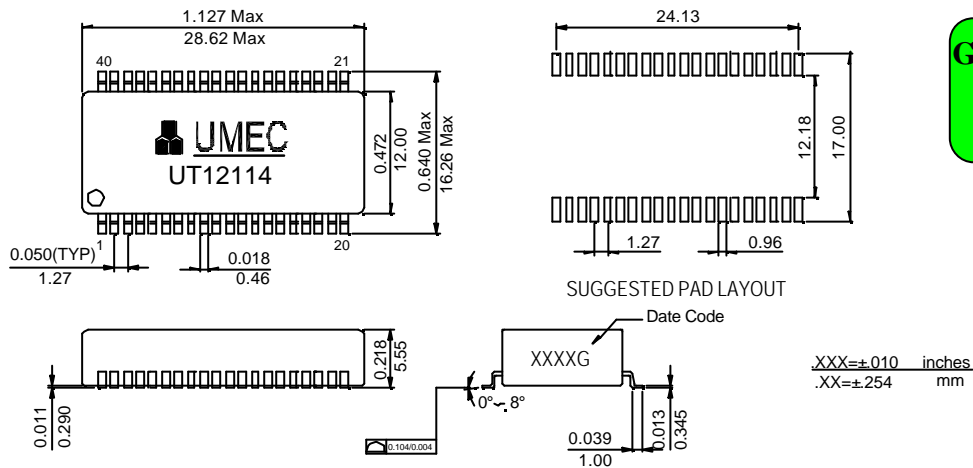
| | | | |
|--------------------------|--|------|---------|
| UM MODEL NO.: UT12114 | SPECIFICATION | REV. | |
| | FAST ETHERNET 10BASE-T/100BASE-TX QUAD PORT TRANSFORMER MODULES | A2 | 06 / 03 |

ELECTRICAL SPECIFICATIONS @25⁰C :

| Turns Ratio | Inductance (uH MIN) | Insertion Loss (dB Max) | Return Loss (dB Min) | | | | Crosstalk (dB Min) | | | | Com. To Com. Rejection Rrtion (dB TYP) | | Diff. To Com. Mode Rejection (dB TYP) | | |
|-------------|----------------------------|-------------------------------|-------------------------|-------|-------|----------|-----------------------|-------|-------|--------|--|-----|--|-----------|--|
| | | | 2-30MHz | 40MHz | 50MHz | 60-80MHz | 1MHz | 30MHz | 60MHz | 100MHz | 0.1-60MHz | | 1-60MHz | 60-200MHz | |
| 15.75Hz 1V | 100KHz 100mV Idc=8mA | 0.1-100MHz | | | | | | | | | | TX | RX | | |
| 1:1±2% | 350 | -1.0 | -21 | -17 | -14.5 | -12 | -55 | -42 | -34 | -25 | -30 | -30 | -40 | -30 | |

Note: Input to output breakdown (HI-POT) of 1500Vrms.

DIMENSIONS & SCHEMATIC :



- NOTE: 1. Packaging information-tape and reel according to item no. "SO40" of data sheet 01-00.
 2. For RoHS compliant products:
 a.) UMEC Ordering Code: **TG-UT12114**
 b.) Date Code suffix to "G" (xxxxG).
 c.) Solder: Sn/Ag/Cu.
 3. Specifications are subject to change without prior notice.

E10-007-C



UNIVERSAL MICROELECTRONICS CO.,LTD.
 TEL:886-4-23590096 FAX:886-4-23590129
 http://www.umec-web.com Email:business@umec.com.tw

3,27TH RD.,TAICHUNG INDUSTRIAL PARK,
 TAICHUNG,TAIWAN,R.O.C