

DATA SHEET

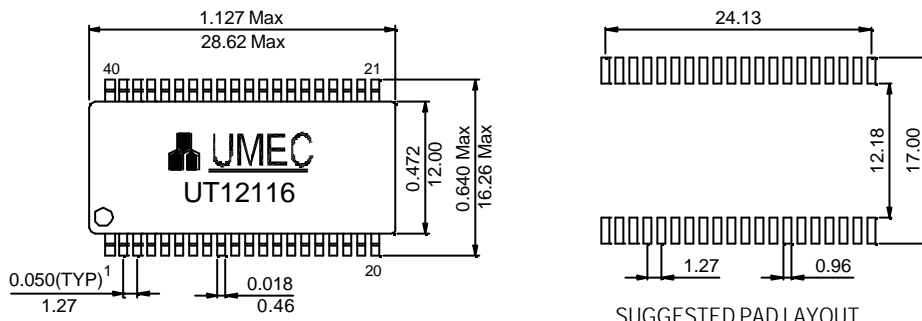
UM MODEL NO.: UT12116	SPECIFICATION				REV.	
	FAST ETHERNET 10BASE-T/100BASE-TX QUAD PORT TRANSFORMER MODULES				A2	06/03

ELECTRICAL SPECIFICATIONS @25⁰C :

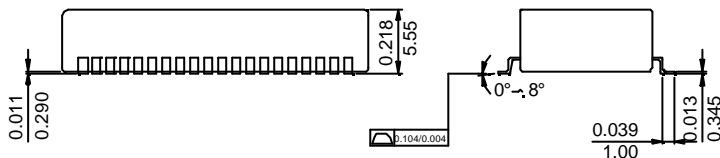
Turns Ratio	Inductance (uH MIN)	Insertion Loss (dB Max.)	Return Loss (dB Min.)				Crosstalk (dB Min.)				Com. To Com. Rejection Rrtion (dB TYP)		Diff. To Com. Mode Rejection (dB TYP)		
			2-30MHz	40MHz	50MHz	60-80MHz	1MHz	30MHz	60MHz	100MHz	0.1-60MHz		1-60MHz	60-200MHz	
15.75Hz 1V	100KHz 100mV Idc=8mA	0.1-100MHz										TX	RX		
1:1±2%	350	-1.0	-21	-17	-14.5	-12	-55	-42	-34	-25	-30	-30	-40	-30	

Note: Input to output breakdown (HI-POT) of 1500Vrms.

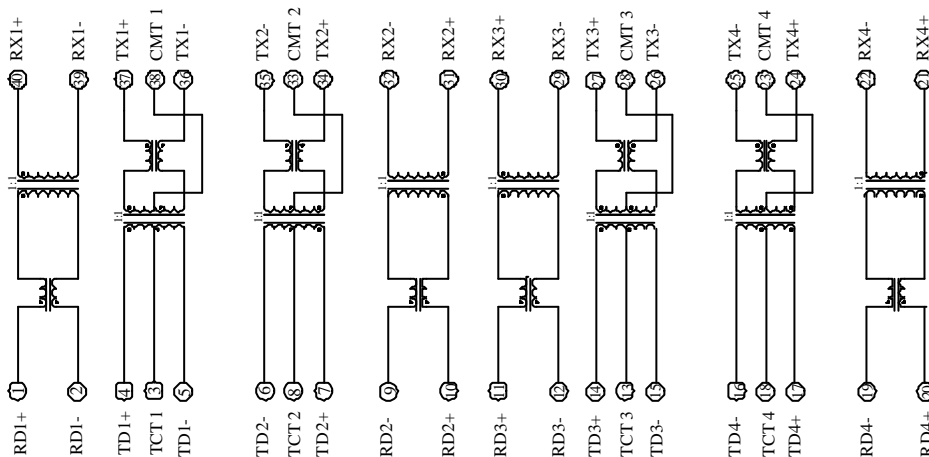
DIMENSIONS & SCHEMATIC :



SUGGESTED PAD LAYOUT



.XXX=±.010 inches
.XX=±.254 mm



- NOTE: 1. Packaging information-tape and reel according to item no. "SO40" of data sheet 01-00.
 2. For RoHS compliant products:
 a.) UMEC Ordering Code: **TG-UT12116**
 b.) Date Code suffix to "G" (xxxxG).
 c.) Solder: Sn/Ag/Cu.
 3. Specifications are subject to change without prior notice.

E10-007-C



UNIVERSAL MICROELECTRONICS CO.,LTD.
 TEL:886-4-23590096 FAX:886-4-23590129
 http://www.umec-web.com Email:business@umec.com.tw

3,27TH RD.,TAICHUNG INDUSTRIAL PARK,
 TAICHUNG,TAIWAN,R.O.C