

DATA SHEET

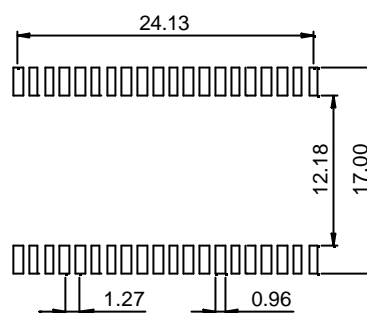
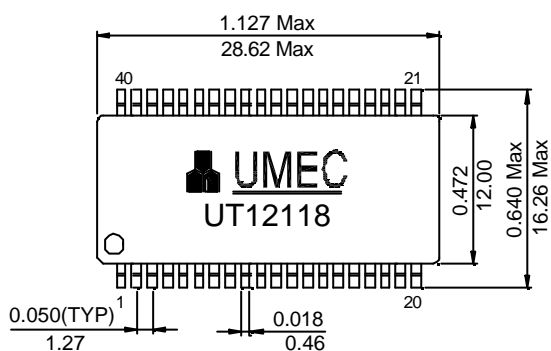
UM MODEL NO.: UT12118	SPECIFICATION				REV.	
	FAST ETHERNET 10BASE-T/100BASE-TX TRANSFORMER MODULES				B6	06/03

ELECTRICAL SPECIFICATIONS @25⁰C :

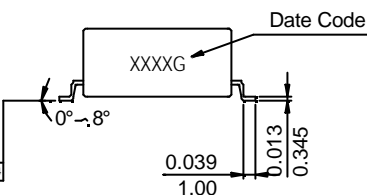
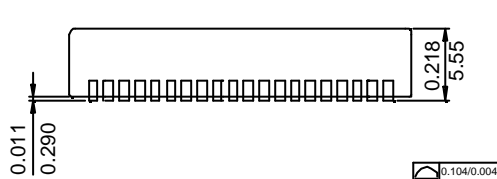
Inductance (uH MIN)	Turn Ratio	Insertion Loss (dB Max.)	Return Loss (dB Min.)				Crosstalk (dB Min.)				Diff. To Com. Mode Rej. (dB Min.)		Hi-pot (Vrms Min.)
			2-30 MHz	40MHz	50MHz	60-80MHz	1KHz	30MHz	60MHz	100MHz	1-60 MHz	60-200MHz	
Idc=8mA	15.75Hz 1V	0.1-100MHz	-18	-14.4	-13.1	-12	-55	-45	-40	-33	-37	-25	LEAKAGE CURRENT 0.5mAmax.2 SEC.
350	1CT:1CT	-1.0											1500

Operating temperature is 0°C to 70°C.

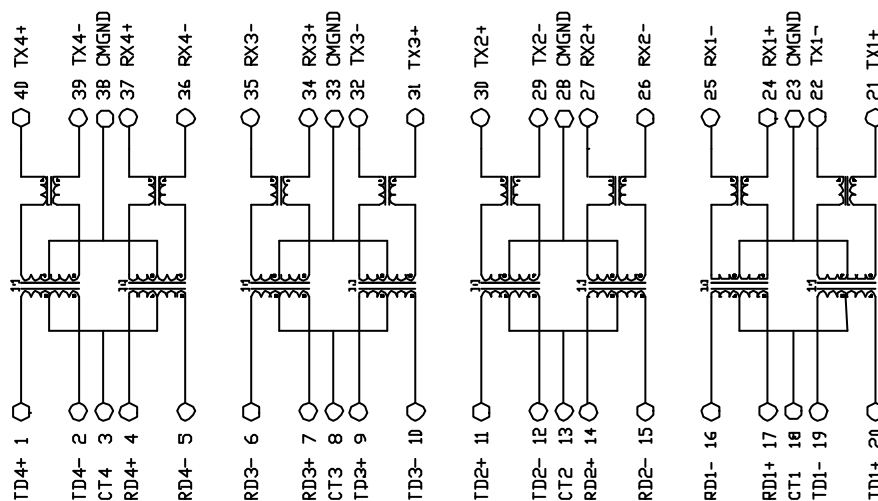
DIMENSIONS & SCHEMATIC :



SUGGESTED PAD LAYOUT



.XXX=±.010 inches
.XX=±.254 mm



- NOTE: 1. Packaging information-tape and reel according to item no. "SO40" of data sheet 01-00.
2. For RoHS compliant products:
a.) UMEC Ordering Code: **TG-UT12118**
b.) Date Code suffix to "G" (xxxxG).
c.) Solder: Sn/Ag/Cu.
3. Specifications are subject to change without prior notice.

E10-007-C



UNIVERSAL MICROELECTRONICS CO.,LTD.
TEL:886-4-23590096 FAX:886-4-23590129
http://www.umec-web.com Email:business@umec.com.tw

3,27TH RD.,TAICHUNG INDUSTRIAL PARK,
TAICHUNG,TAIWAN,R.O.C