

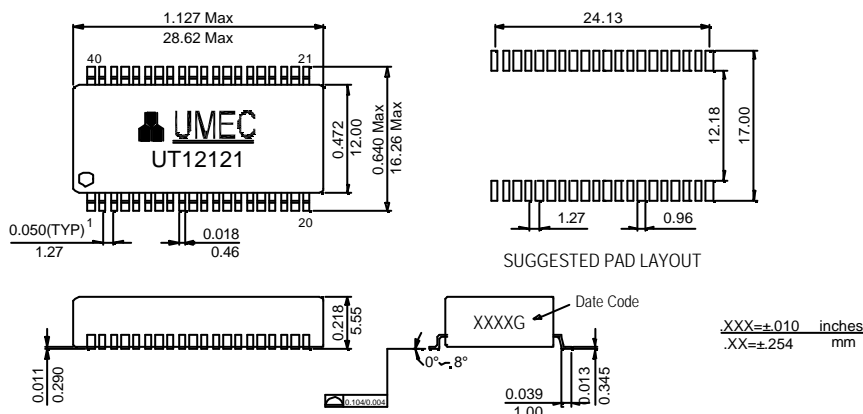
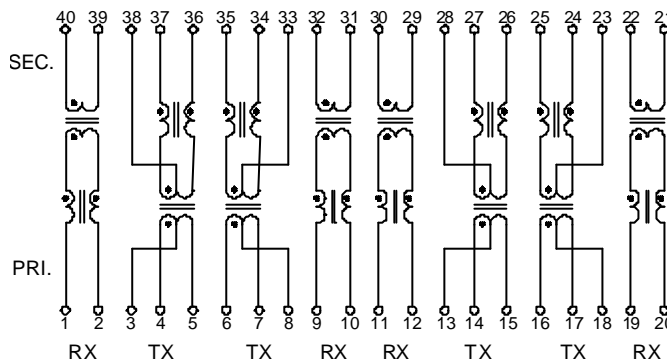
DATA SHEET

| UM MODEL NO.: | SPECIFICATIONS | REV. | |
|---------------|---|------|-------|
| UT12121 | 10/100Base-Tx Quad Port Transformer Modules | A3 | 06/03 |

Electrical specification at 25°C:

- 1.)RX Turns Ratio : 1:1±2% at 15.75KHz / 1Vrms.
TX Turns Ratio : 1:1CT±2% at 15.75KHz / 1Vrms.
- 2.)Inductance : 350uH Min. at 100KHz / 100mVrms / Bias 8mA.
- 3.)Interwinding Capacitance : 30pF Max. at 100KHz / 1Vrms.
- 4.)Leakage Inductance : 0.4uH Max. at 100KHz / 1Vrms.
- 5.)DCR : 0.9Ω Max. Each Winding.
- 6.)Cross Talk : -30dB Min. at 0.1-100MHz.
- 7.)Insertion Loss : -1dB Max. at 0.1-100MHz.
- 8.)Return Loss : -21dB Min. at 0.5MHz ; -17dB Min. at 40MHz
: -14dB Min. at 60MHz. ; -12dB Min. at 80MHz
: -10dB Min. at 100MHz.
- 9.)Common Mode Rejection : -35dB Min. at 0.1-100MHz.
- 10.) HI-POT : : 1500Vrms/2sec. Leakage Current 0.5mA Max. Pri. To Sec.

Schematic diagram & Dimension:



NOTE: 1. Packaging information-tape and reel according to item no. "SO40" of data sheet 01-00.

- 2. For RoHS compliant products:
 - a.) UMEC Ordering Code: **TG-UT12121**
 - b.) Date Code suffix to "G" (xxxxG).
 - c.) Solder: Sn/Ag/Cu.

3. Specifications are subject to change without prior notice.

UNIT : mm



UNIVERSAL MICROELECTRONICS CO.,LTD.
 TEL:886-4-23590096 FAX:886-4-23590129
 http://www.umec-web.com Email:business@umec.com.tw

**3,27TH RD.,TAICHUNG INDUSTRIAL PARK,
 TAICHUNG,TAIWAN,R.O.C**

E10-007-C