

DATA SHEET

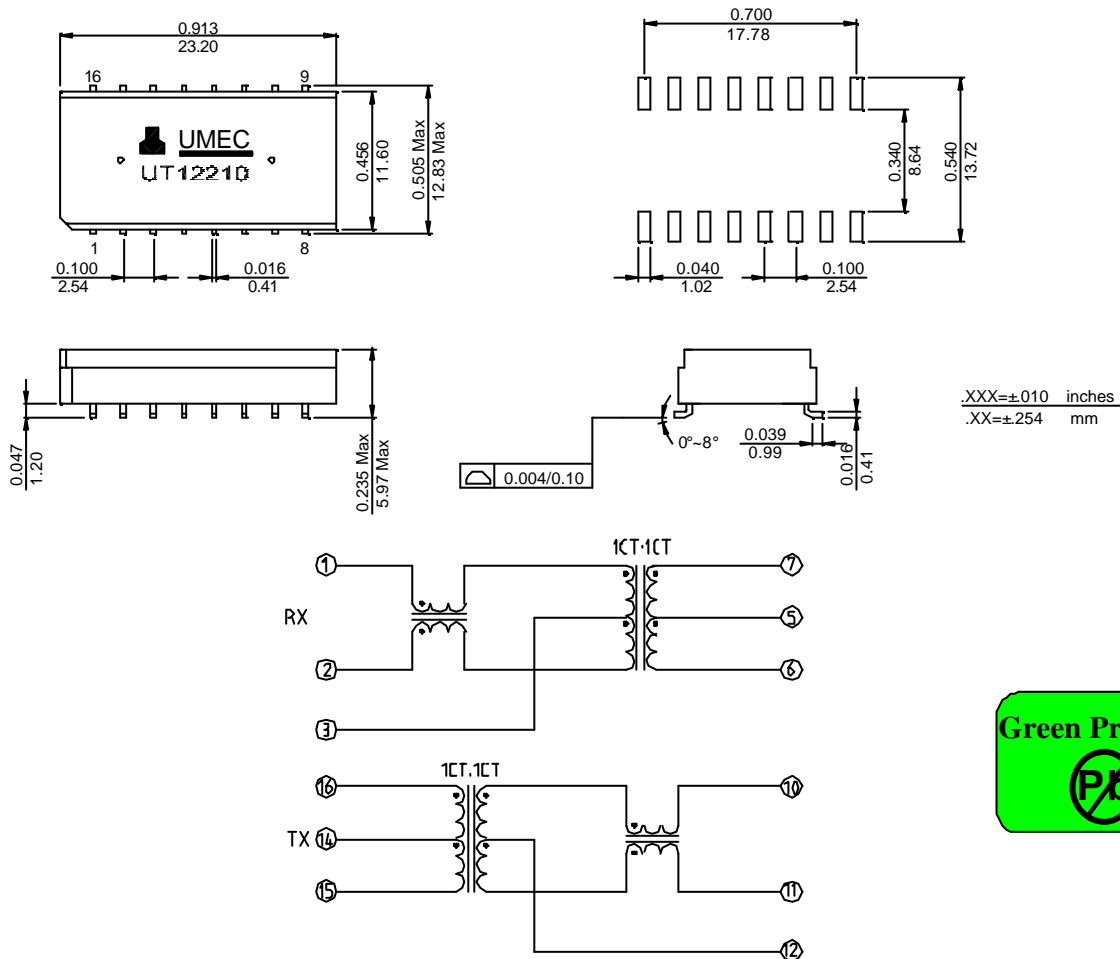
UM MODEL NO.: UT12210	SPECIFICATION	REV.	1 / 1
	FAST ETHERNET 10BASE-T/100BASE-TX TRANSFORMER MODULES	B1	05 / 48

ELECTRICAL SPECIFICATIONS @25⁰C :

Turns Ratio	Inductance (uH MIN)	Insertion Loss (dB Max)	Return Loss (dB Min)					Crosstalk (dB Min)				Diff. To Com. Mode Rejection (dB Min)		Com. To Com. Rejection Rrtion (dB Min)
			1-30 MHz	40 MHz	50 MHz	60-80 MHz	100 MHz	1MHz	30MHz	60MHz	100MHz	1-60MHz TX/RX	60-100MHz TX/RX	
15.75Hz 1V	100KHz 200mV Idc=8mA	0.1-100MHz	-20	-18	-16	-12	-10	-55	-42	-34	-30	-45/-40	-40/-35	0.1-60MHz
1ct:1ct±5%	350	-1.0	-20	-18	-16	-12	-10	-55	-42	-34	-30	-45/-40	-40/-35	-30

Note: Input to output breakdown (HI-POT) of 1500Vrms.

DIMENSIONS & SCHEMATIC :



- NOTE :
- Packaging Information-Tape And Reel According To Item No. "TR708" Of Data Sheet 01-00
 - For RoHS compliant products:
 - The UMEC ordering code: **TG-UT12210**
 - Date Code suffix to "G" (xxxxG).
 - Solder : Sn/Ag/Cu .
 - Specifications are subject to change without prior notice.

E10-007-C



UNIVERSAL MICROELECTRONICS CO.,LTD.
 TEL:886-4-23590096 FAX:886-4-23590129
<http://www.umec-web.com> Email:business@umec.com.tw

3,27TH RD.,TAICHUNG INDUSTRIAL PARK,
 TAICHUNG,TAIWAN,R.O.C