

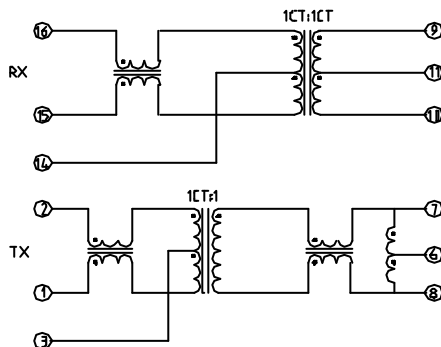
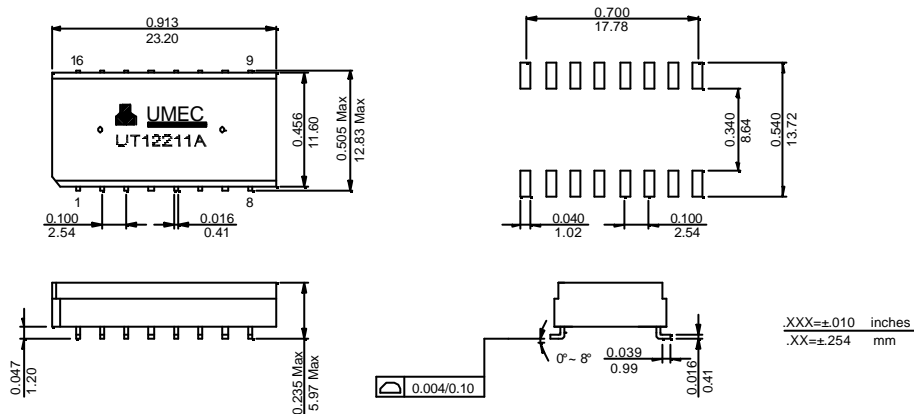
DATA SHEET

UM MODEL NO.:	SPECIFICATIONS	REV.	1/1
UT12211A	FAST ETHERNET 10BASE-T/100BASE-TX TRANSFORMER MODULES	B2	05/48

ELECTRICAL SPECIFICATIONS @25⁰C :

- Inductance : 350uH Min. @ 100KHz. 0.2V I_{dc}=8mA , PIN(1-2) , PIN(9-10).
- D.C.Resistance : 1.0Ω Max. , PIN(1-2) / 0.8 Max. , PIN(9-10)
- Turns Ratio : 1CT : 1CT±5% @ 15.75KHz 1V , PIN(16-15) : PIN(9-10).
1CT : 1±5% @ 15.75KHz 1V , PIN(2-1) : PIN(7-8).
- Interwinding Capacitance : 35pf Max. @ 100KHz 0.2V , PIN(1-2) TO PIN(8-7) , PIN(9-10) TO PIN(16-15).
- Leakage Inductance : 0.5uH Max. @ 100KHz 0.2V , PIN(1-2):PIN(8-7)SHORTED , PIN(9-10):PIN(16-15)SHORTED.
- Insertion Loss : -1.0dB Max. @ 0.1--100MHz.
- Return Loss : -20dB Min. @ 1--30MHz ; -18dB Min. @ 40MHz ; -16dB Min. @ 50MHz
-12dB Min. @ 60--80MHz ; -10dB Min. @ 100MHz
- Cross Talk : -55dB Min. @ 1MHz ; -42dB Min. @ 30MHz ; -34dB Min. @ 60MHz
-30dB Min. @ 100MHz
- Diff. to Com. Mode Rejection : Tx -45 dB Min./ Rx -40 dB Min. @ 1--60MHz.
Tx -40dB Min./ Rx -35 dB Min. @ 60-100MHz.
- Com. to Com. Rejection Ratio : -30dB Min. @ 0.1 --60MHz.
- HI-POT : 1500Vrms/2Sec. Leakage Current 0.5mA Max. @ Input to Output.

DIMENSIONS & SCHEMATIC :



- NOTE :
- Packaging Information-Tape And Reel According To Item No. "TR708" Of Data Sheet 01-00
 - For RoHS compliant products:
 - The UMEC ordering code: **TG-UT12211A**
 - Date Code suffix to "G" (xxxxG).
 - Solder : Sn/Ag/Cu .
 - Specifications are subject to change without prior notice.

