

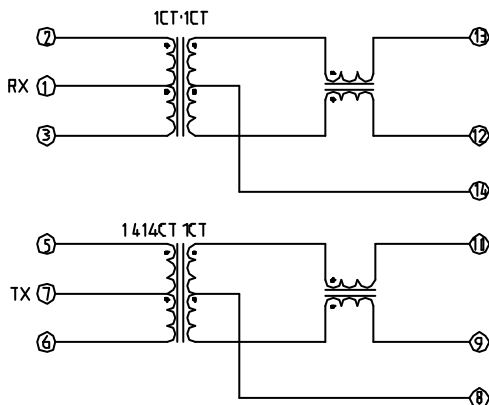
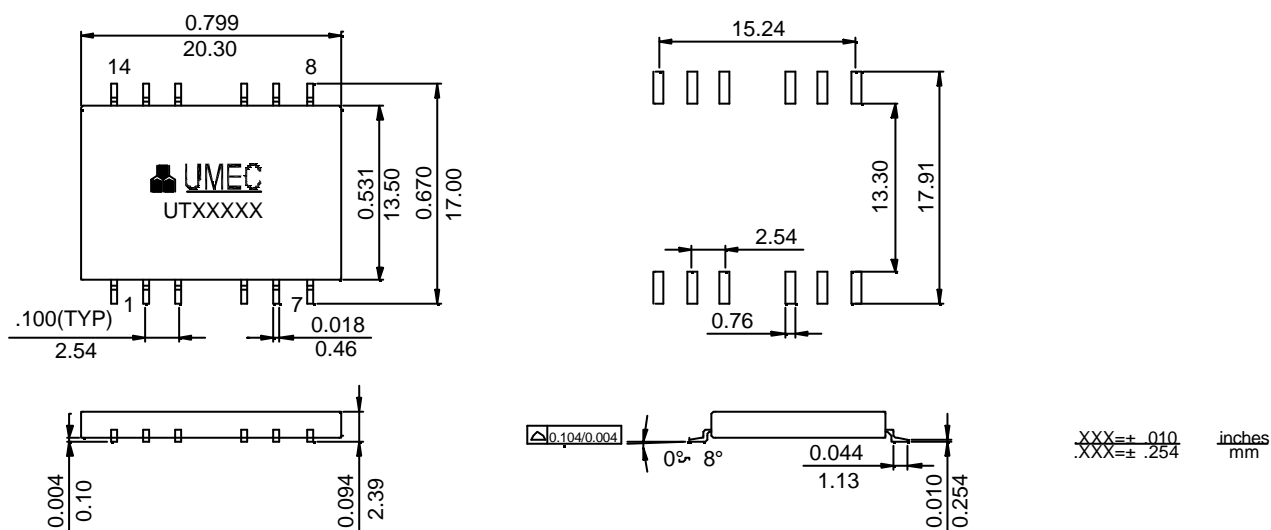
DATA SHEET

UM MODEL NO.:	SPECIFICATION	REV.	1 / 1
UT12311A	FAST ETHERNET 10BASE-T/100BASE-TX TRANSFORMER MODULES	A0	00 / 17

ELECTRICAL SPECIFICATIONS @25⁰C :

- Inductance : 350uH Min. @ 100KHz 0.1V I_{dc}=8mA , PIN(2-3) , PIN(10-9)
- Turns Ratio : (1). 1CT : 1CT± 5% @ 15.75KHz 1V , PIN(13-12) : PIN(2-3)
(2). 1CT : √2CT± 5% @ 15.75KHz 1V , PIN(10-9) : PIN(5-6)
- Return Loss :Tx/Rx -16dB Min. @ 1-30MHz.
Tx/Rx -10dB Min. @ 60-80MHz.
- Insertion Loss : Tx/Rx -1.2dB TYP. @ 1-100MHz.
- Com. to Com. Mode Rejection Ration : Tx/Rx -30dB TYP. @ 30 -100MHz.
- Diff. to Com. Mode Rejection Ration :Tx -45dB Min./ Rx -40 dB Min. @ 1- 60MHz.
Tx -40dB Min./ Rx -35 dB Min. @ 60-100MHz.
- CrossTalk : Tx/Rx -35dB Min. @1-100MHz.
- HI-POT : 1500Vrms/60Sec. Leakage Current 0.5mA Max. @ PRI. to SEC.

DIMENSIONS & SCHEMATIC :



NOTE : Specifications are subject to change without prior notice.

E10-007-C



UNIVERSAL MICROELECTRONICS CO.,LTD.
TEL:886-4-23590096 FAX:886-4-23590129
<http://www.umec-web.com> Email:business@umec.com.tw

3,27TH RD.,TAICHUNG INDUSTRIAL PARK,
TAICHUNG,TAIWAN,R.O.C