

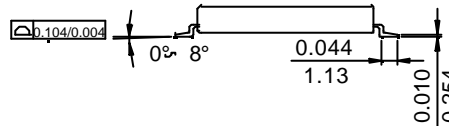
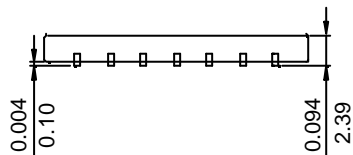
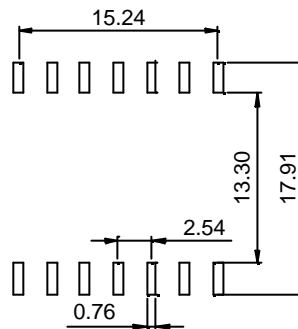
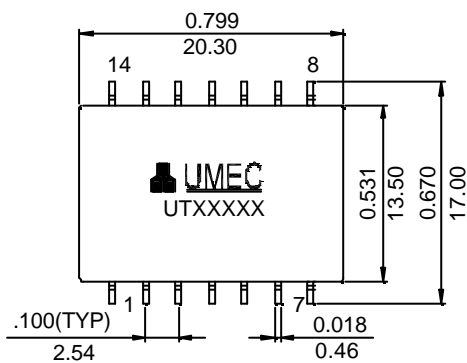
# DATA SHEET

UM MODEL NO.:	SPECIFICATION	REV.	1 / 1
UT12313	FAST ETHERNET 10BASE-T/100BASE-TX TRANSFORMER MODULES	A 0	00 / 10

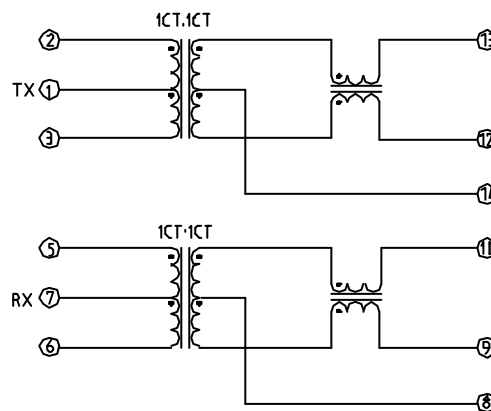
## ELECTRICAL SPECIFICATIONS @25°C :

- Inductance : 350uH Min. @ 100KHz 0.1V Idc=8mA , PIN(2-3) , PIN(5-6)
- Turns Ratio : (1). 1CT : 1CT± 5% @ 15.75KHz 1V , PIN(13-12) : PIN(2-3)  
(2). 1CT : 1CT± 5% @ 15.75KHz 1V , PIN(10-9) : PIN(5-6)
- Return Loss :Tx/Rx -16dB Min. @ 1-30MHz.  
Tx/Rx -10dB Min. @ 60-80MHz.
- Insertion Loss : Tx/Rx -1.2dB TYP. @ 1-100MHz.
- Com. to Com. Mode Rejection Ration : Tx/Rx -30dB TYP. @ 30 -100MHz.
- Diff. to Com. Mode Rejection Ration :Tx -45dB Min./ Rx -40 dB Min. @ 1- 60MHz.  
Tx -40dB Min./ Rx -35 dB Min. @ 60-100MHz.
- CrossTalk : Tx/Rx -35dB Min. @1-100MHz.
- HI-POT : 1500Vrms/60Sec. Leakage Current 0.5mA Max. @ PRI. to SEC.

## DIMENSIONS & SCHEMATIC :



XXX=± .010 inches  
.XXX=± .254 mm



Note: Specifications are subject to change without prior notice.

E10-007-C



UNIVERSAL MICROELECTRONICS CO.,LTD.  
TEL:886-4-23590096 FAX:886-4-23590129  
http://www.umec-web.com Email:business@umec.com.tw

3,27TH RD.,TAICHUNG INDUSTRIAL PARK,  
TAICHUNG,TAIWAN,R.O.C