

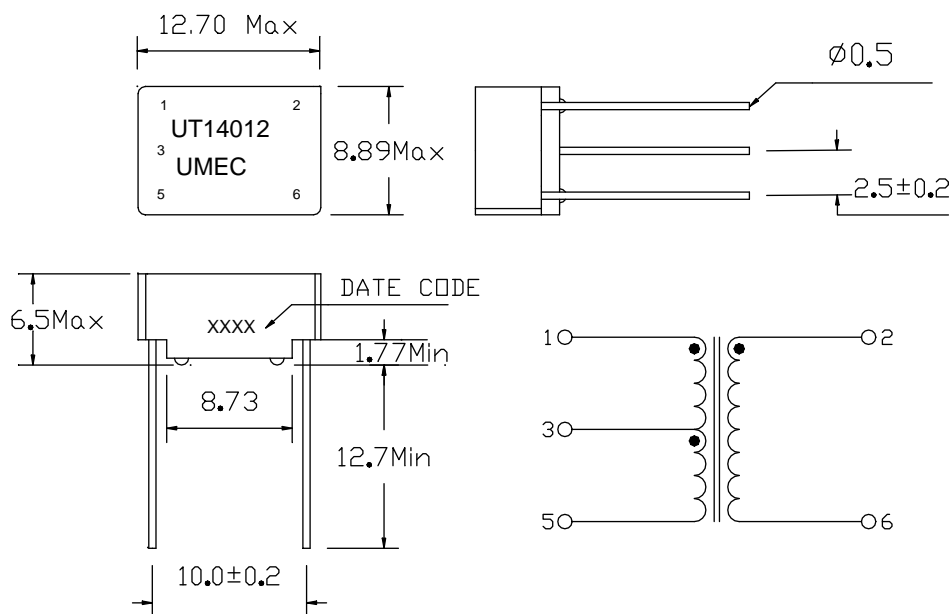
DATA SHEET

UM PART NO.:	SPECIFICATION	REV.	
UT14012	TRANSFORMER	A1	99/22

Electrical Specifications at 25°C :

- 1). Turns ratio & phase : 1CT:1±5% , at 15.75KHz / 1V , PIN(1-5):(2-6)
- 2). Pri. inductance : 1.0~2.5mH , at 10KHz / 100mV , PIN(1-5)
- 3). Leakage inductance: 3.0uH Max. , 100KHz / 100mV , PIN(1-5):(2-6)Shorted
- 4). Cw/w : 100pF Max. , 100KHz / 100mV , PIN(1-5):(2-6)
- 5). D.C.R. : 2.0Ω Max. , PIN(1-5)&(2-6)
- 6). ET-constant : 50V-uS Min., Pin(1-5)
- 7). HI-POT : 1500Vrms / 0.5mA / 1sec. , PIN(1-5):(2-6)

Dimensions & Schematic :



Unit : mm

E10-007-B



UNIVERSAL MICROELECTRONICS CO.,LTD.
 TEL:886-4-3590096 FAX:886-4-3590129
<http://www.umec-web.com> E-mail:business@umec.com.tw

3,27TH RD.,TAICHUNG INDUSTRIAL PARK,
 TAICHUNG,TAIWAN,R.O.C