

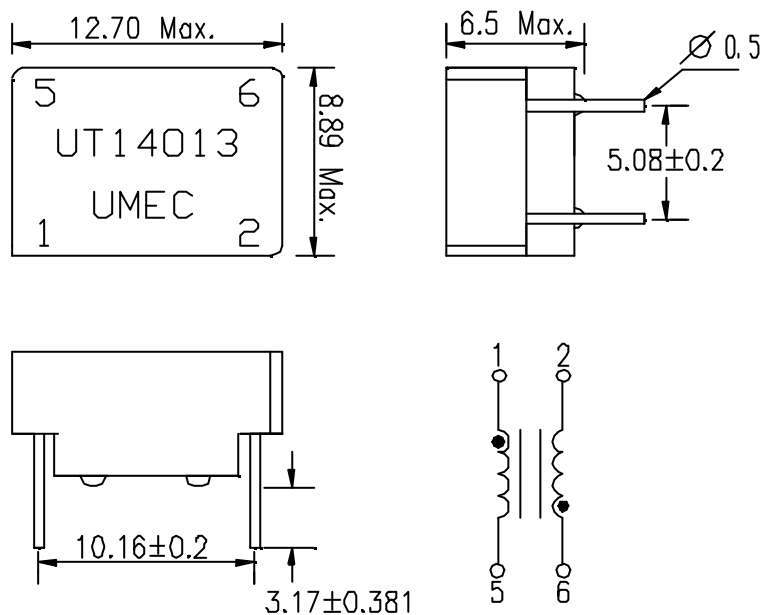
# DATA SHEET

UM MODEL NO.:	SPECIFICATION	REV.	
UT14013	TRANSFORMER	A2	06/07

Electrical Specifications at 25<sup>0</sup>C :

- 1). Turns ratio & phase : 1:1±5% , at 15.75KHz / 1V , PIN(1-5):(6-2)
- 2). Inductance : 225uH Min. , at 10KHz / 100mV , PIN(1-5)
- 3). Leakage inductance: 0.3uH Max. , 100KHz / 100mV , PIN(1-5):(6-2)Shorted
- 4). Cw/w : 15pF Max. , 100KHz / 100mV , PIN(1-5):(6-2)
- 5). D.C.R. : 0.4Ω Max. , PIN(1-5)&(6-2)
- 6). HI-POT : 1500Vac / 0.5mA / 1sec. , PIN(1-5):(6-2)

Dimensions & Schematic :



- NOTE : 1. For RoHS compliant products:
- a.) The UMEC ordering code: **TG-UT14013**
  - b.) Date Code suffix to "G" (xxxxG).
  - c.) Solder : Sn/ Cu .
2. Specifications are subject to change without prior notice.

Unit : mm

E10-007-C



UNIVERSAL MICROELECTRONICS CO.,LTD.  
 TEL:886-4-23590096 FAX:886-4-23590129  
<http://www.umec-web.com> Email:business@umec.com.tw

3,27TH RD.,TAICHUNG INDUSTRIAL PARK,  
 TAICHUNG,TAIWAN,R.O.C