

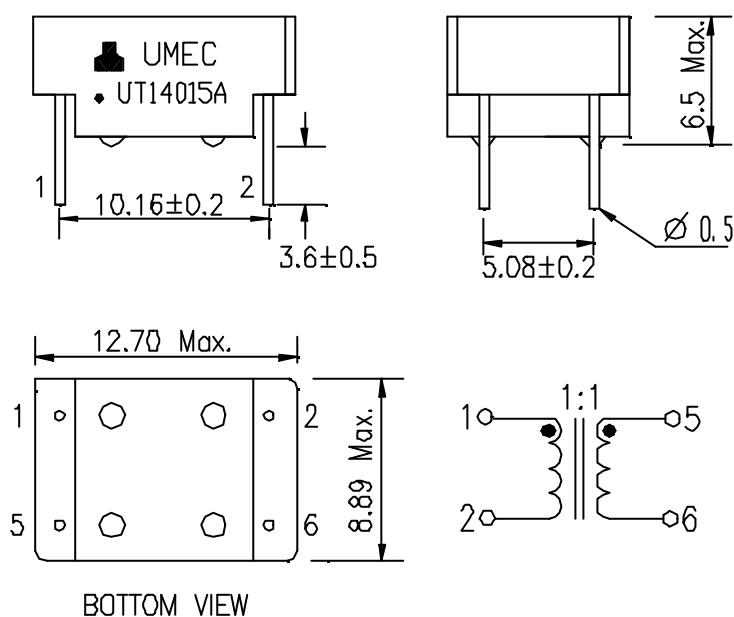
# DATA SHEET

UM MODEL NO.:	SPECIFICATION	REV.	
UT14015A	TRANSFORMER	A0	06/08

Electrical Specifications at 25<sup>0</sup>C:

- 1). Turns ratio & phase: 1:1±5% , at 15.75KHz,1V , PIN(1-2):(5-6)
- 2). Inductance: 4mH+/-30% . , at 10KHz, 100mV , PIN(1-2)
- 3). DCR: 1.0Ω Max. , PIN(1-2),(5-6)
- 4). HI-POT: 500Vdc / 10mA / 3sec. , PIN(1-2):(5-6)

Dimensions & Schematic:



NOTE : 1. For RoHS compliant products:

- a.) The UMEC ordering code: TG-UT14015A
- b.) Date Code suffix to "G" for Green Product(XXXXG)
- c.) Solder: Sn/Cu .

2. Specifications are subject to change without prior notice.



Unit: mm

