

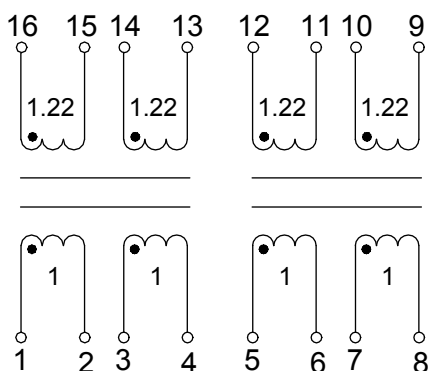
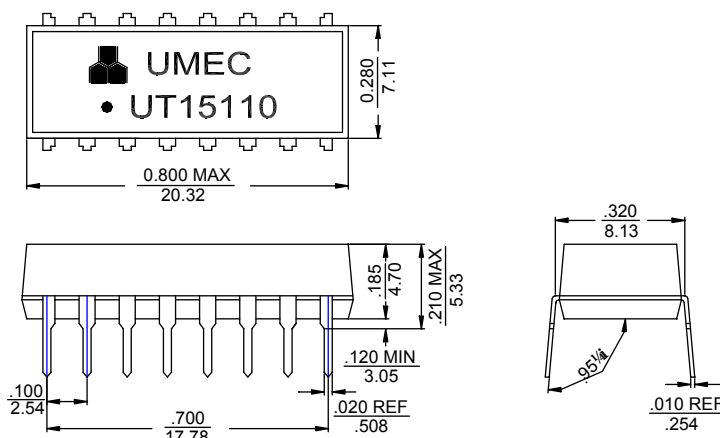
DATA SHEET

UM PART NO.:	SPECIFICATIONS	REV.	
UT15110	Token Ring Impedance Matching Transformer	A0	01/16

ELECTRICAL SPECIFICATIONS AT 25 °C :

- Turns ratios: 1:1:1.22:1.22±5% AT 15.75KHz 1Vrms. PIN(1-2):(3-4):(14-13):(16-15)
PIN(5-6):(7-8):(10-9):(12-11)
- Pri. inductance: 250uH±30% AT 100KHz 20mVrms. PIN(1-4), PIN2,3 Connected
PIN(5-8), PIN6,7 Connected
- Interwinding capacitance: 15pF Max. AT 100KHz 1Vrms. PIN(1-2-3-4):(16-15-14-13)
PIN(5-6-7-8):(12-11-10-9)
- Pri. leakage inductance: 0.5uH Max. AT 100KHz 1Vrms. PIN(1-2-3-4):(16-15-14-13)Shorted
PIN(5-6-7-8):(12-11-10-9)Shorted
- D.C.R: 0.4Ω Max. PIN(1-2-3-4),(5-6-7-8),(12-11-10-9),(16-15-14-13)
- Rise time: 3.0nS Max. PIN(1-2-3-4):(16-15-14-13) & PIN(5-6-7-8):(12-11-10-9)
- ET-constant: 2.5V-μSec. Min. PIN(1-2-3-4) & PIN (5-6-7-8)
- HI-POT: 2000Vrms/2sec. Leakage current 0.5mA Max. PIN(1-2-3-4):(16-15-14-13)
PIN(5-6-7-8):(12-11-10-9)

DIMENSIONS & SCHEMATICS:



NOTE: Specifications are subject to change without prior notice.

E10-007-B



UNIVERSAL MICROELECTRONICS CO.,LTD.
TEL:886-4-23590096 FAX:886-4-23590129
<http://www.umec-web.com> E-mail:business@umec.com.tw

3,27TH RD.,TAICHUNG INDUSTRIAL PARK,
TAICHUNG,TAIWAN,R.O.C