

# HDSL

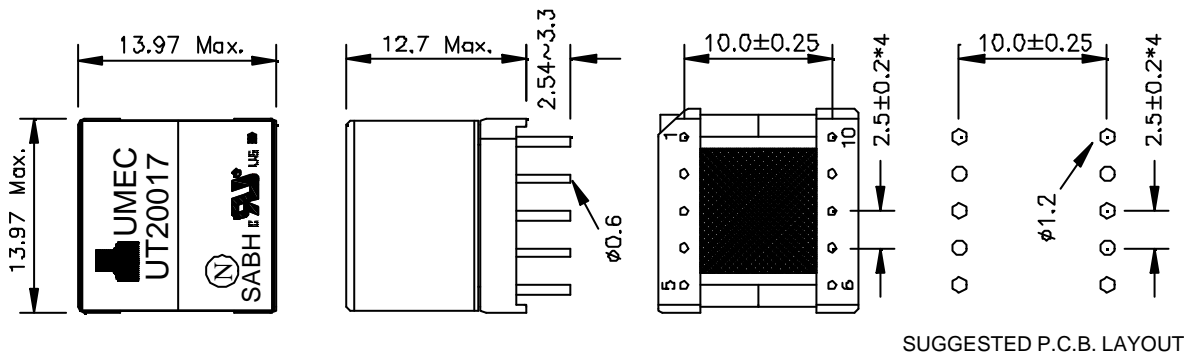
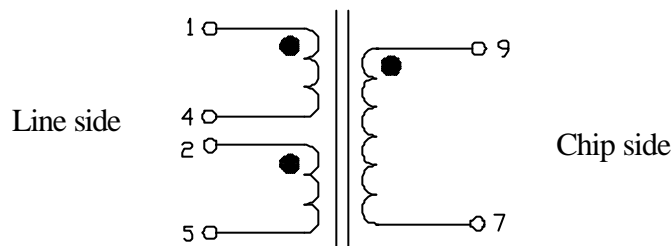
UM MODEL NO.:	SPECIFICATIONS	REV.	
UT20017	HDSL Transformer	A2	2005/26

### Electrical specification at 25<sup>0</sup>C:

- 1.) Turns Ratio and Polarity : 2.0CS : 1±2% , Line Side to Chip Side .
- 2.) D.C.R : 2.0Ω max . , PIN(1-4) .  
: 2.0Ω max . , PIN(2-5) .  
: 1.1Ω max . , PIN(9-7).
- 3.) Line side Inductance : 2.0mH±6% , at 10KHz 100mV, PIN(1-5) ; PIN(4-2) shorted .
- 4.) Leakage Inductance : 6.5uH max. , at 100KHz 20mV, PIN(1-5) ; PIN(4-2)&PIN(9-7) shorted.
- 5.) Insertion Loss : 0.65dB max. , 30KHz ~580KHz ..
- 6.) Return Loss : 16.0dB min. , 40KHz to 300KHz .
- 7.) Longitudinal Balance : 50dB min. , 30KHz to 300KHz .
- 8.) Total Harmonic Distortion : -70dB max. , at 10KHz 5V .
- 9.) HI-pot test : 1500Vac 60s or 1875Vac 2s , Line side to Chip side .

Note: The SABH series transformer meets the specifications for supplementary insulation per UL60950-1, CSA60950-1, IEC60950-1 with working voltage of 250V.

### Schematic diagram & Dimension:



- NOTE : 1. For RoHS compliant products:
- a.) The UMEC ordering code: **TG-UT20017**
  - b.) Date Code suffix to "G" (xxxxG).
  - c.) Solder : Sn/Ag/Cu .
2. Specifications are subject to change without prior notice.

UNIT : mm

Tolerances : ±0.2mm

### AGENCY APPROVALS

UL60950-1	: FILE NO. E212730	IEC60950-1	: CB Rrf. #DK-8600
CSA 60950-1 (via C-UL)	: FILE NO. E212730	Nordic, Japan, &Australia Deviations	: CB Rrf. #DK-8600
Nemko (EN60950-1)	: Certificate NO. P05203908		



UNIVERSAL MICROELECTRONICS CO.,LTD. 3,27TH RD.,TAICHUNG INDUSTRIAL PARK,  
 TEL:886-4-23590096 FAX:886-4-23590129 TAICHUNG,TAIWAN,R.O.C  
<http://www.umec-web.com> Email:business@umec.com.tw

E10-032-C