

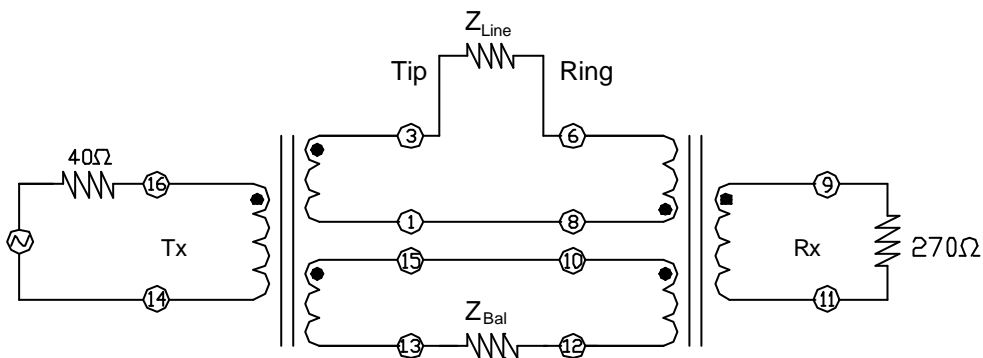
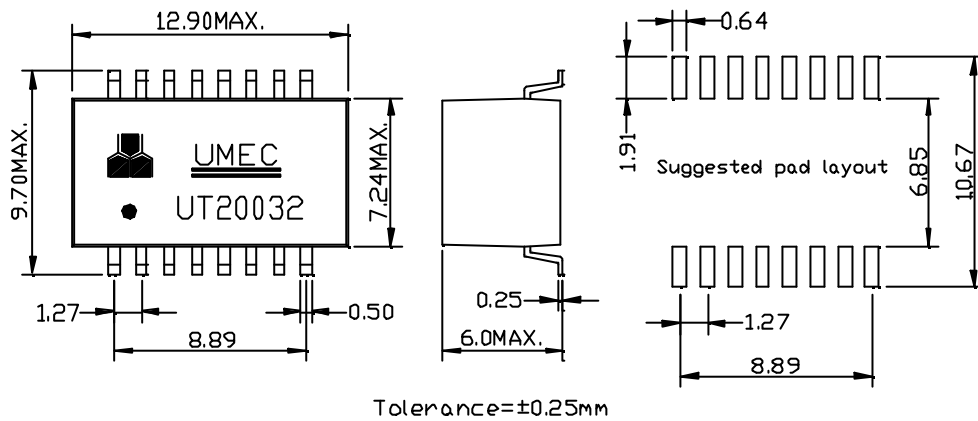
VDSL

UM MODEL NO.:	SPECIFICATIONS	REV.	
UT20032	VDSL Dual Hybrid Transformer	A2	03/31

Electrical Specifications at 25 °C :

1. Impedance: $Z_{Line}=100\Omega$, $Z_{Bal}=100\Omega$
2. D.C.R: 0.25 Ω Max. PIN(1-3),(6-8),(13-15),(14-16)
0.35 Ω Max. PIN(11-9)
3. Transhybrid Attenuation: 55dB Min. @100KHz
50dB Min. @1MHz
37dB Min. @10MHz
4. Hi-pot: 1500Vrms/2sec. Leakage current 0.5mA Max. Line to (Tx, Rx,Bal)

Dimensions & Schematics:



- NOTE: 1. Packaging information-tape and reel according to item no. "SO16A" of data sheet 01-00
2. Specifications are subject to change without prior notice.

UNIT: mm

Tolerances:±0.2mm



UNIVERSAL MICROELECTRONICS CO.,LTD.
TEL:886-4-23590096 FAX:886-4-23590129
<http://www.umec-web.com> Email:business@umec.com.tw

3,27TH RD.,TAICHUNG INDUSTRIAL PARK,
TAICHUNG,TAIWAN,R.O.C

E10-032-C