

VDSL

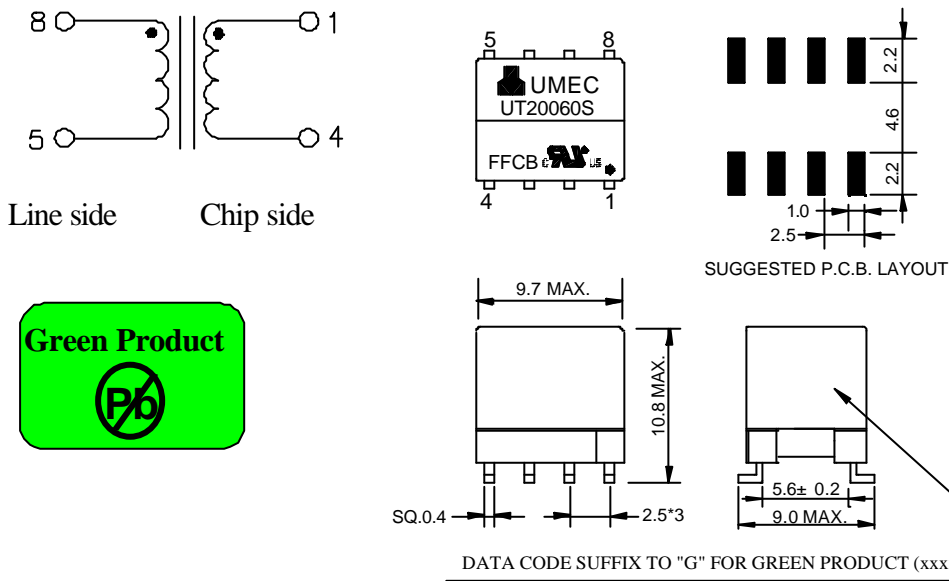
| | | | |
|---------------|------------------|------|-------|
| UM MODEL NO.: | SPECIFICATIONS | REV. | |
| UT20060S | VDSL Transformer | A0 | 06/16 |

Electrical specification at 25⁰C:

- 1.) Turns Ratio and Polarity : 1.86 : 1±2% , Line Side to Chip Side .
- 2.) D.C.R : 0.75Ω max . , PIN(8-5) .
: 0.4Ω max . , PIN(1-4) .
- 3.) Line side Inductance : 100uH ±10% . , at 100KHz 100mV, PIN(8-5) .
- 4.) Leakage Inductance : 0.7uH max . , at 1MHz 100mV , PIN(8-5) ; PIN(1-4) shorted .
- 5.) Interwinding Capacitance : 35pF max . , at 100KHz 100mV , PIN(8-5) to PIN(1-4)
- 6.) T.H.D : -75dB min. at 100KHz 2V.
- 7.) HI-pot test : 1500Vac 60s or 1875Vac 2s , Line side to Chip side .

Note: The FFCB series transformer meets the specifications for Functional insulation per UL60950-1, CSA60950-1, IEC60950-1 with working voltage of 250V.

Schematic diagram & Dimension:



- NOTE : 1. Packaging information-tape and reel according to item no. "EP7LA" of data sheet 01-00
 2. For RoHS compliant products:
 a.) The UMEC ordering code: **TG-UT20060S**
 b.) Date Code suffix to "G" (xxxxG).
 c.) Solder : Sn/Ag/Cu .
 3. Specifications are subject to change without prior notice.

UNIT : mm

Tolerances : ±0.2mm

AGENCY APPROVALS

| | | | |
|------------------------|--------------------|---------------------------------------|--------------------|
| UL60950-1 | : FILE NO. E212730 | IEC60950-1 | : CB Rrf. #DK-8600 |
| CSA 60950-1 (via C-UL) | : FILE NO. E212730 | Nordic, Japan, & Australia Deviations | : CB Rrf. #DK-8600 |



UNIVERSAL MICROELECTRONICS CO.,LTD.
 TEL:886-4-23590096 FAX:886-4-23590129
<http://www.umec-web.com> Email:business@umec.com.tw

3,27TH RD.,TAICHUNG INDUSTRIAL PARK,
 TAICHUNG,TAIWAN,R.O.C

E10-032-C