

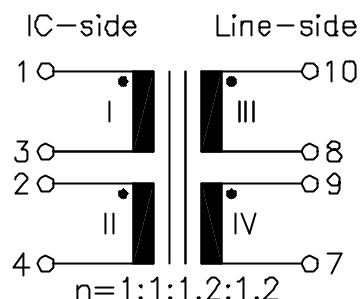
ADSL

UM MODEL NO.:	SPECIFICATION	REV.	
UT20101	ADSL Transformer for MC145650/MC03AX1456CO/RT	C4	2001/27

Characteristic data:

RI+RII \leq 1.0 Ω
 RIII+RIV \leq 1.0 Ω

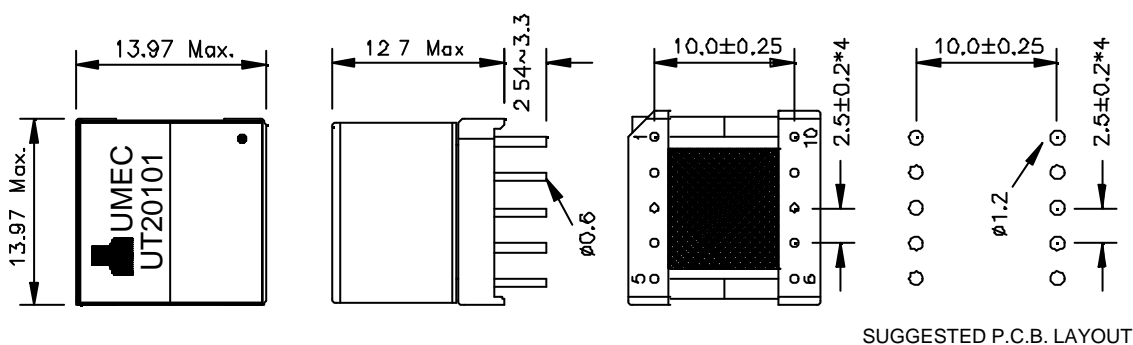
Schematic diagram:



Electrical Specification at 25⁰C:

- 1.) LIII+IV \geq 3.96mH, (NIII+IV), at 10KHz 100mV
- 2.) Polarity and turns ratio tolerance: \pm 2%
- 3.) Cw/w \leq 50pF, (NI+II to NIII+IV), at 10KHz 100mV
- 4.) L_S III+IV \leq 3.0uH, (NIII+IV series, NI+II shorted), at 100KHz 100mV
- 5.) Linearity(26KHz—1104KHz) \geq 65dB, (primary to secondary), for 9V peak to peak sinusoidal input
- 6.) Longitudinal Balance \geq 40dB, @20KHz to 1.1MHz
- 7.) HI-pot test:
 Up=3.0KVrms, 2s(NI+II to NIII+IV)

Dimension:



SUGGESTED P.C.B. LAYOUT

Note: 1.the transformer meets the specifications for supplementary insulation per IEC 950 with working voltage of 250V.

2.Specifications are subject to change without prior notice.

*MEMBER ADSL FORUM.

UNIT: mm

Tolerances: \pm 0.2mm

E10-033-C



UNIVERSAL MICROELECTRONICS CO.,LTD.
 TEL:886-4-23590096 FAX:886-4-23590129
<http://www.umec-web.com> Email:business@umec.com.tw

3,27TH RD.,TAICHUNG INDUSTRIAL PARK,
 TAICHUNG,TAIWAN,R.O.C