

# ADSL

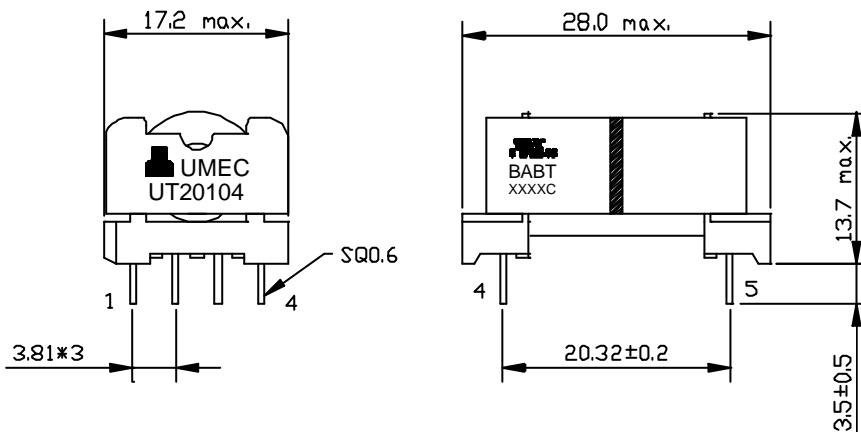
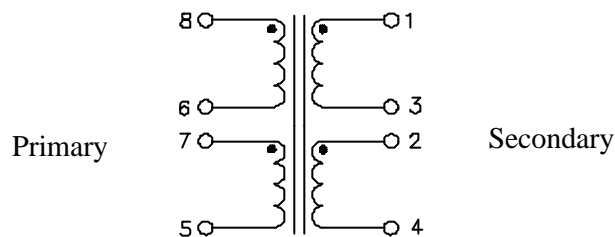
UM MODEL NO.:	SPECIFICATIONS	REV.	
UT20104	ADSL Transformer	B3	2006/06

### Electrical specification at 25 °C:

- 1.) Turns Ratio and Polarity : 1CS : 1CS ±2% , Primary : Secondary .
- 2.) D.C.R : 1.5Ω max. , PIN(8-6-7-5) .  
: 1.5Ω max. , PIN(1-3-2-4) .
- 3.) Primary Inductance : 440uH ±5% , at 10KHz 500mV, PIN(1-4) ; PIN(3-2) shorted .
- 4.) Leakage Inductance : 10uH max. , at 100KHz 500mV, PIN(1-4) ; PIN(8-6-7-5)&PIN(3-2) shorted.
- 5.) Interwinding Capacitance : 45pF max. , 10KHz 500mV , PIN(1-3-2-4) to PIN(8-6-7-5) .
- 6.) HI-pot test : 3000Vac 2s , Primary to Secondary .
- 7.) Operating Temperature : -40 to +85 °C

**Note: the transformer meets the specifications for supplementary insulation per IEC 950 with working voltage of 250V.**

### Schematic diagram & Dimension:



- NOTE : 1. For RoHS compliant products:  
 a.) The UMEC ordering code: **TG-UT20104**  
 b.) Date Code suffix to "G" (xxxxG).  
 c.) Solder : Sn/ Cu .
2. Specifications are subject to change without prior notice.

UNIT : mm

Tolerances : ±0.2mm

### AGENCY APPROVALS

<b>UL1950</b>	: File Number E185051	<b>CAS 950</b>	: Certificate number 2500012071
<b>CSA 950 (via C-UL)</b>	: File Number E185051	<b>UL1950 (via CSA)</b>	: Certificate number 2500012071
<b>BABT</b>	: Certificate number 650243	<b>TÜV</b>	: Certificate NO. B 00 03 15587 036



UNIVERSAL MICROELECTRONICS CO.,LTD.  
 TEL:886-4-23590096 FAX:886-4-23590129  
<http://www.umec-web.com> Email:business@umec.com.tw

3,27TH RD.,TAICHUNG INDUSTRIAL PARK,  
 TAICHUNG,TAIWAN,R.O.C

E10-033-C