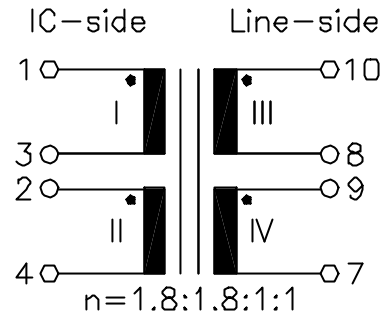


# ADSL

UM MODEL NO.:	SPECIFICATION	REV.	
UT20107	ADSL Transformer for MC145650/MC03AX1456CO/RT	B4	2001/27

Characteristic data:  
 $R_I+R_{II} \leq 1.0\Omega$   
 $R_{III}+R_{IV} \leq 1.0\Omega$

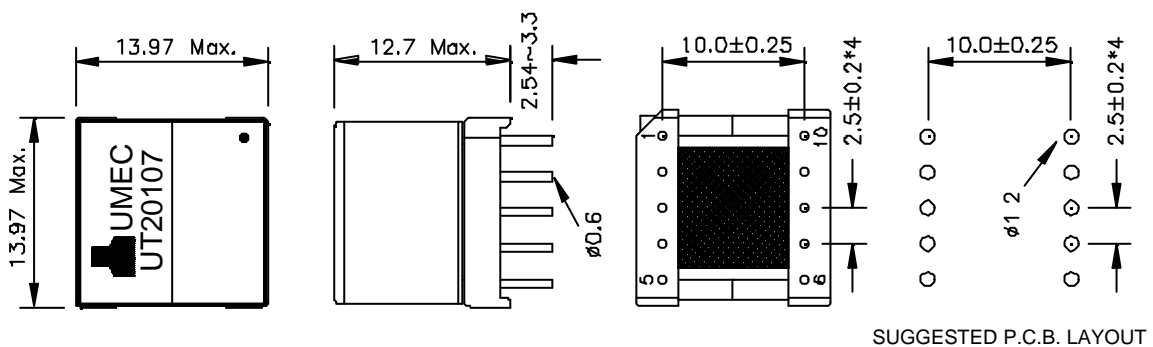
Schematic diagram:



Electrical Specification at 25°C:

- 1.)  $L_{III+IV} \geq 3.96\text{mH}$ , ( $N_{III+IV}$ ), at 10KHz 100mV
- 2.) Polarity and turns ratio tolerance:  $\pm 2\%$
- 3.)  $C_w/w \leq 50\text{pF}$ , ( $N_I+II$  to  $N_{III+IV}$ ), at 10KHz 100mV
- 4.)  $L_S$   $III+IV \leq 2.5\mu\text{H}$ , ( $N_{III+IV}$  series,  $N_I+II$  shorted), at 100KHz 100mV
- 5.) Linearity (26KHz—1104KHz)  $\geq 65\text{dB}$ , (primary to secondary), for 9V peak to peak sinusoidal input
- 6.) Longitudinal Balance  $\geq 40\text{dB}$ , @20KHz to 1.1MHz
- 7.) HI-pot test:  
 $U_p = 3.0\text{KV}_{\text{rms}}$ , 2s ( $N_I+II$  to  $N_{III+IV}$ )

Dimension:



Note: 1.the transformer meets the specifications for supplementary insulation per IEC 950 with working voltage of 250V.

2.Specifications are subject to change without prior notice.

\* MEMBER ADSL FORUM.

UNIT: mm

Tolerances  $\pm 0.2\text{mm}$



UNIVERSAL MICROELECTRONICS CO.,LTD.  
 TEL:886-4-23590096 FAX:886-4-23590129  
<http://www.umec-web.com> E-mail:business@umec.com.tw

3,27TH RD.,TAICHUNG INDUSTRIAL PARK,  
 TAICHUNG,TAIWAN,R.O.C

E10-033-C