

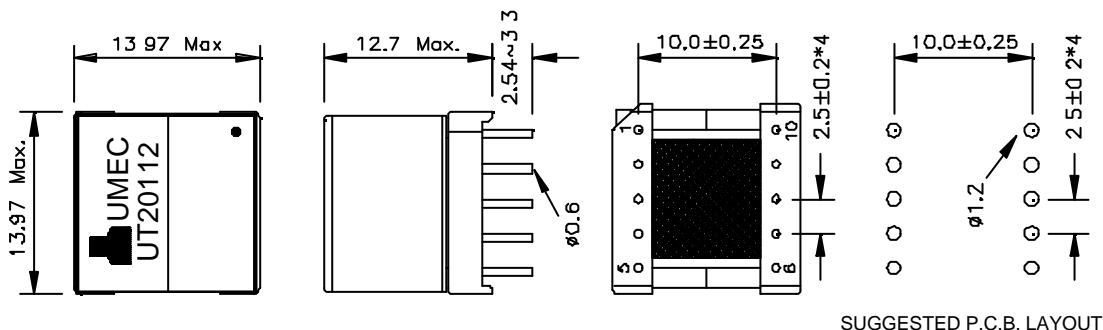
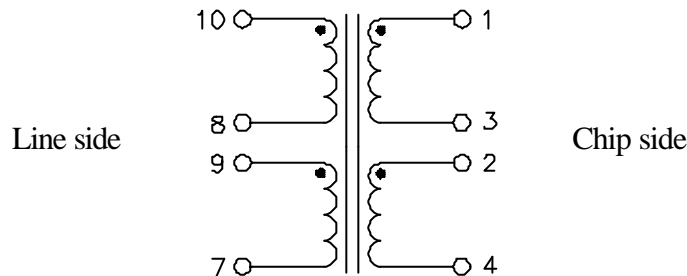
# ADSL

UM MODEL NO.:	SPECIFICATIONS	REV.	
UT20112	ADSL Transformer for AD20msp910 ADSL Chipset/AD816 ADSL Line Driver	C3	2001/27

### Electrical specification at 25°C:

- 1.) Turns Ratio and Polarity : 1CS : 1CS  $\pm$ 2% , Line side to Chip side.
- 2.) D.C.R : 3.0 $\Omega$  max. , PIN(1-3-2-4) .  
: 3.0 $\Omega$  max. , PIN(10-8-9-7) .
- 3.) Line side Inductance : 5.0mH  $\pm$ 10% , at 10KHz 100mV, PIN(10-7) ; PIN(8-9) shorted.
- 4.) Leakage Inductance : 18uH max. , at 100KHz 100mV, PIN(1-4) ; PIN(2-3)&PIN(10-8-9-7) shorted.
- 5.) Longitudinal Balance : 40dB min. , 25KHz ~ 1MHz .
- 6.) Insertion Loss : 0.5dB max. , at 100KHz 0dBm..
- 7.) Frequency Response :  $\pm$ 1.5dB max. , 30KHz ~ 1.1MHz . ref at 100KHz 0dB .
- 8.) THD : -80dB typ. , at 30KHz .
- 9.) HI-pot test : 1500Vac 2s , Line side to Chip side .

### Schematic diagram & Dimension:



Note: Specifications are subject to change without prior notice.

UNIT : mm

Tolerances :  $\pm$ 0.2mm

