

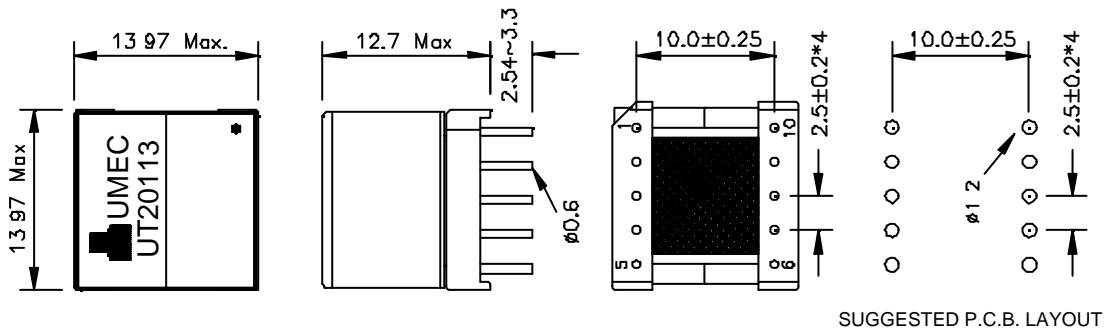
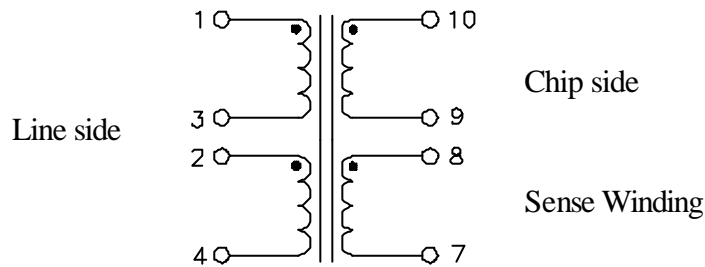
MDSL

UM MODEL NO.:	SPECIFICATIONS	REV.	
UT20113	MDSL Transformer for Infineon PEB 22522 IC (Version 2.1)	C2	2001/27

Electrical specification at 25°C:

- 1.) Turns Ratio and Polarity : 2CS : 1 ±2% , Line side to Chip side.
- 2.) Turns Ratio and Polarity : 2CS : 1 ±2% , Line side to Sense side.
- 3.) D.C.R : 14.7Ω max. , PIN(1-3-2-4) .
: 4.6Ω max. , PIN(9-10) .
: 12.0Ω max. , PIN(7-8) .
- 4.) Line side Inductance : 10.0mH ±12% , at 10KHz 100mV, PIN(1-4) ; PIN(10-9) shorted.
- 5.) Leakage Inductance : 85uH max. , at 100KHz 100mV, PIN(1-4) ; PIN(3-2)&PIN(10-9) shorted.
- 6.) THD : -75dB typ. , at 2KHz .
- 7.) HI-pot test : 2000Vac 2s , Line side to Chip side .
: 2000Vac 2s , Line side to Sense side .

Schematic diagram & Dimension:



NOTE: Specifications are subject to change without prior notice.

UNIT : mm

Tolerances : ±0.2mm

