

ADSL

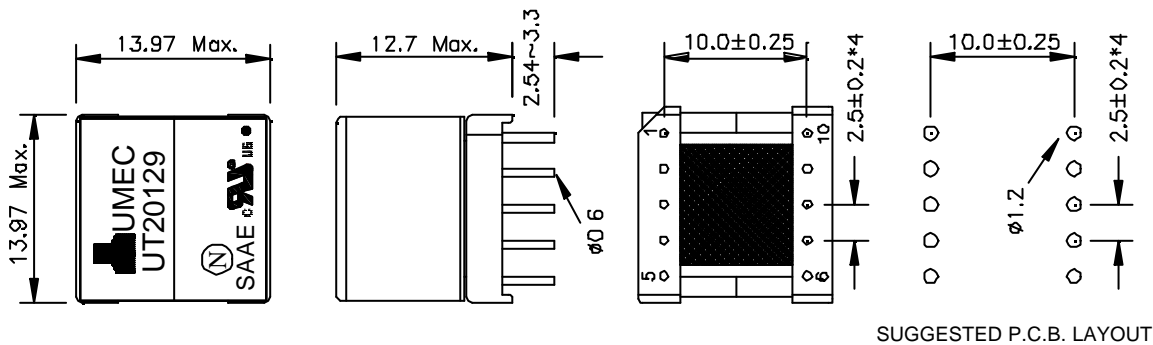
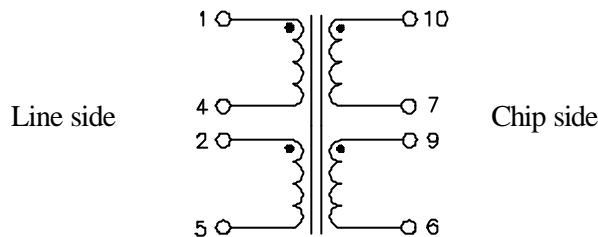
UM MODEL NO.:	SPECIFICATIONS	REV.	
UT20129	ADSL Transformer for Lucent Wildwire Line Isolation Application	A6	2005/27

Electrical specification at 25°C:

- 1.) Turns Ratio and Polarity : 1Split : 1Split ± 2% , Line Side to Chip Side
- 2.) D.C.R. : 0.40Ω ± 10% ., each windings
- 3.) Line side Inductance : 1.25mH ± 10% , at 10KHz 50mV, PIN(1-5) ; PIN(2-4) shorted.
- 4.) Leakage Inductance : 12uH max., at 100KHz 50mV, PIN(1-5); PIN(2-4)&PIN(10-7-9-6) shorted.
- 5.) HI-pot test : 1500Vrms 60s or 1875Vac 1s , Line side to Chip side .
- 6.) Operating Temperature : -40 to +85 °C

Note: The SAAE series transformer meets the specifications for supplementary insulation per UL60950-1, CSA60950-1, IEC60950-1 with working voltage of 250V.

Schematic diagram & Dimension:



Note: Specifications are subject to change without prior notice.

UNIT : mm

Tolerances : ± 0.2mm

AGENCY APPROVALS

UL60950-1	: FILE NO. E212730	IEC60950-1	: CB Rrf. #DK-8600
CSA 60950-1 (via C-UL)	: FILE NO. E212730	Nordic, Japan, & Australia Deviations	: CB Rrf. #DK-8600
Nemko (EN60950-1)	: Certificate NO. P05203908		



UNIVERSAL MICROELECTRONICS CO.,LTD.
 TEL:886-4-23590096 FAX:886-4-23590129
<http://www.umec-web.com> Email:business@umec.com.tw

3,27TH RD.,TAICHUNG INDUSTRIAL PARK,
 TAICHUNG,TAIWAN,R.O.C

E10-033-C