

ADSL

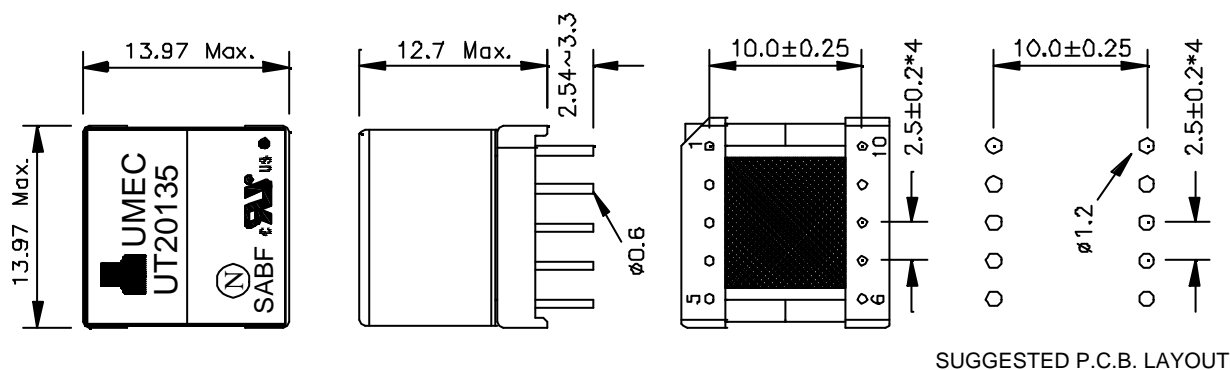
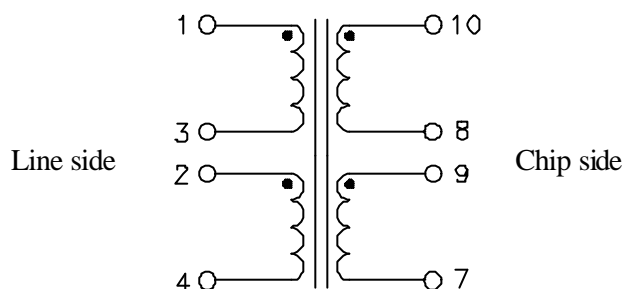
| | | | |
|---------------|---|------|---------|
| UM MODEL NO.: | SPECIFICATIONS | REV. | |
| UT20135 | ADSL Transformer for Alcatel Release 3.0 and 4.0, Customer Premise | A5 | 2005/27 |

Electrical specification at 25°C:

- 1.) Turns Ratio and Polarity : 1CS : 1CS \pm 2% , Line side to Chip side.
- 2.) D.C.R. : 0.63 Ω max. , PIN(1-3) .
: 0.63 Ω max. , PIN(2-4) .
: 0.54 Ω max. , PIN(9-7) .
: 0.54 Ω max. , PIN(10-8) .
- 3.) Line side Inductance : 440uH \pm 5% , at 10KHz 100mV, PIN(1-4) ; PIN(2-3) shorted.
- 4.) D.C. Current : 100mA max.
- 5.) Leakage Inductance : 10uH max. ,at 300KHz 100mV, PIN(1-4) ; PIN(2-3)&PIN(10-8-9-7) shorted.
- 6.) HI-pot test : 1500Vac 60s or 1875Vac 1s , Line side to Chip side .
- 7.) Operating Temperature : -40 to +85 °C

Note: The SABF series transformer meets the specifications for supplementary insulation per UL60950-1, CSA60950-1, IEC60950-1 with working voltage of 250V.

Schematic diagram & Dimensions:



Note: Specifications are subject to change without prior notice.

UNIT : mm

Tolerances : \pm 0.2mm

AGENCY APPROVALS

| | | | |
|------------------------|-----------------------------|---------------------------------------|--------------------|
| UL60950-1 | : FILE NO. E212730 | IEC60950-1 | : CB Rrf. #DK-8600 |
| CSA 60950-1 (via C-UL) | : FILE NO. E212730 | Nordic, Japan, & Australia Deviations | : CB Rrf. #DK-8600 |
| Nemko (EN60950-1) | : Certificate NO. P05203908 | | |



UNIVERSAL MICROELECTRONICS CO.,LTD.
TEL:886-4-23590096 FAX:886-4-23590129
http://www.umec-web.com Email:business@umec.com.tw

3,27TH RD.,TAICHUNG INDUSTRIAL PARK,
TAICHUNG,TAIWAN,R.O.C

E10-033-C