

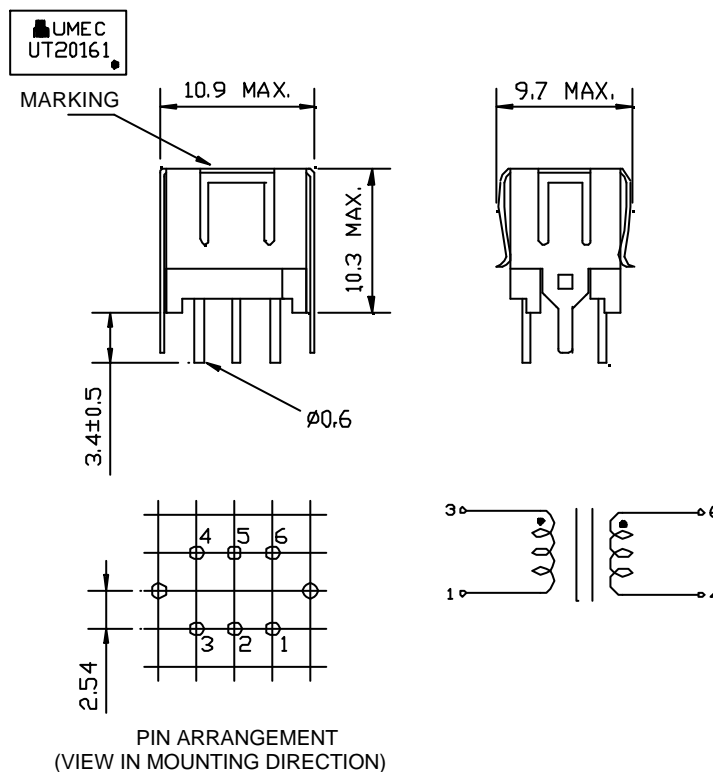
ADSL

UM MODEL NO.:	SPECIFICATION	REV.	
UT20161	ADSL TRANSFORMER For Alcatel MTK-20131 ADSL chipset	A0	00/32

ELECTRICAL SPECIFICATIONS AT 25⁰C

- INDUCTANCE : (1) 51.4 ~ 59.0 μ H AT 10KHz 100mV , PIN(3-1)
(2) 201.4 ~ 236.2 μ H AT 10KHz 100mV , PIN(3-4) , PIN(1-6) shorted
- TURNS RATIO & PHASE : 1:1 \pm 2% , PIN(3-1):(6-4)
- LEAKAGE INDUCTANCE : 5 μ H Max. , at 100KHz 0.1V , PIN(3-1) , PIN(4-6) shorted
- DC RESISTANCE : (1) 0.3 Ω Max. , PIN(3-1)
(2) 0.3 Ω Max. , PIN(6-4)
- HI-POT : 0.5KVrms 0.5mA 2sec , PIN3 to PIN6
0.5KVrms 0.5mA 2sec , PIN(3+6) to CORE

DIMENSIONS & SCHEMATICS



Note: Specifications are subject to change without prior notice.

E10-033-C



UNIVERSAL MICROELECTRONICS CO.,LTD.
TEL:886-4-23590096 FAX:886-4-23590129
<http://www.umec-web.com> Email:business@umec.com.tw

3,27TH RD.,TAICHUNG INDUSTRIAL PARK,
TAICHUNG,TAIWAN,R.O.C