

ADSL

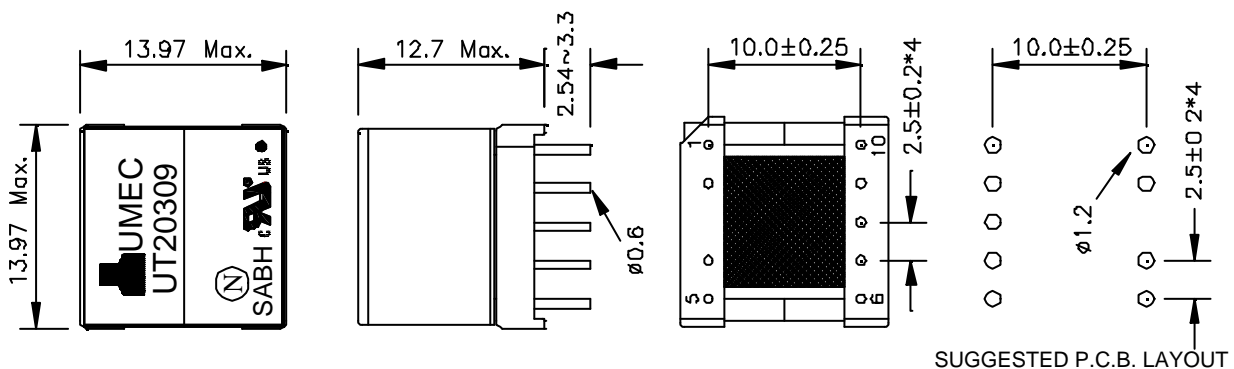
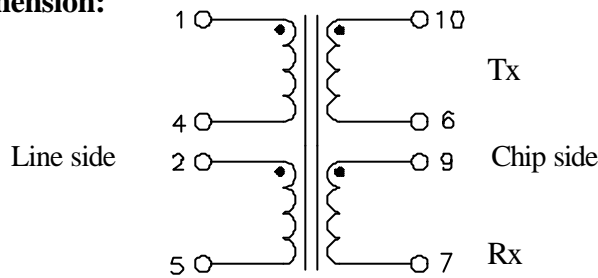
UM MODEL NO.:	SPECIFICATIONS	REV.	
UT20309	ADSL Transformer	A5	2005/18

Electrical specification at 25°C:

- 1.) Turns Ratio and Polarity : 4.25CS : 1CS \pm 2% , Line side to Tx side.
: 1CS : 1CS \pm 2% , Line side to Rx side.
- 2.) D.C.R. : 1.6 Ω \pm 10% . , PIN(1-4) .
: 1.6 Ω \pm 10% . , PIN(2-5) .
: 0.735 Ω \pm 10% , PIN(10-6) .
: 3.10 Ω \pm 10% , PIN(9-7) .
- 3.) Line side Inductance : 2.65mH \pm 6% , at 10KHz 100mV, PIN(1-5); PIN(2-4) shorted.
- 4.) Leakage Inductance : 10.0uH max. ,at 100KHz 100mV, PIN(1-5) ; PIN(4-2)&PIN(10-6-9-7) shorted.
- 5.) Interwinding Capacitance : 60pF max., 10KHz 100mV , PIN(1-4-2-5) to PIN(10-6)
- 6.) Longitudinal Balance : 50dB min. , 10KHz~1.0MHz .
- 7.) T.H.D. : -80dB max. ,at 30KHz 3.5V .
- 8.) HI-pot test : 1500Vac 60s or 1875Vac 1s , Line side to Chip side .

Note: The SABH series transformer meets the specifications for supplementary insulation per UL60950-1, CSA60950-1, IEC60950-1 with working voltage of 250V.

Schematic diagram & Dimension:



NOTE : Specifications are subject to change without prior notice.

UNIT : mm

Tolerances : \pm 0.2mm

AGENCY APPROVALS

UL60950-1	: FILE NO. E212730	IEC60950-1	: CB Rrf. #DK-8600
CSA 60950-1 (via C-UL)	: FILE NO. E212730	Nordic, Japan, &Australia Deviations	: CB Rrf. #DK-8600
Nemko (EN60950-1)	: Certificate NO. P05203908		



UNIVERSAL MICROELECTRONICS CO.,LTD.
TEL:886-4-23590096 FAX:886-4-23590129
http://www.umec-web.com Email:business@umec.com.tw

3,27TH RD.,TAICHUNG INDUSTRIAL PARK,
TAICHUNG,TAIWAN,R.O.C

E10-033-C