

ADSL

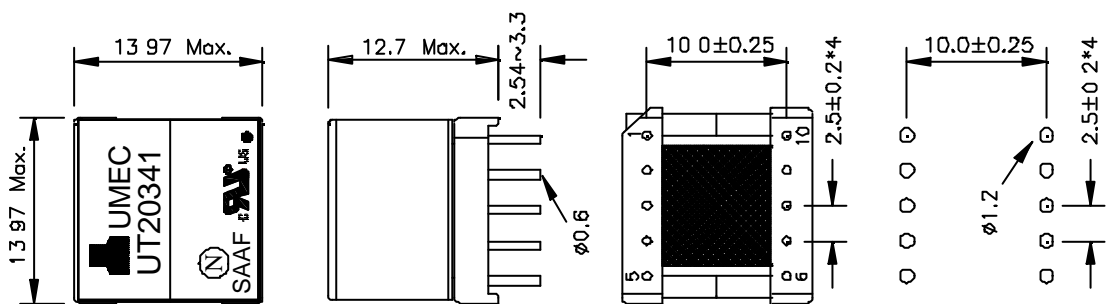
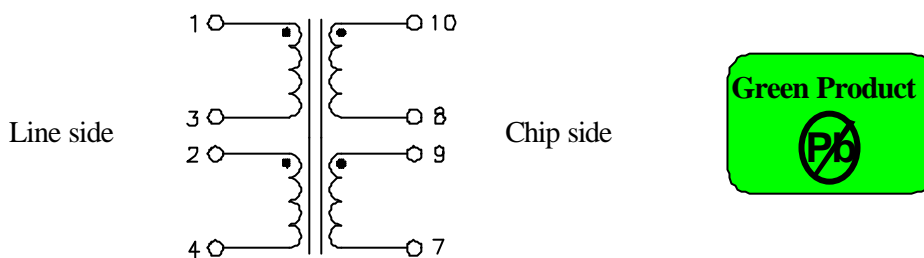
UM MODEL NO.:	SPECIFICATIONS	REV.	
UT20341	ADSL Transformer	A2	2005/13

Electrical specification at 25°C:

- 1.) Turns Ratio and Polarity : 2CS : 1CS $\pm 2\%$, Line side to Chip side.
- 2.) D.C.R. : 0.80 Ω max. , PIN(1-3-2-4) .
: 0.50 Ω max. , PIN(10-8-9-7) .
- 3.) Line side Inductance : 100uH $\pm 5\%$, at 10KHz 100mV, PIN(1-3-2-4)
- 4.) Leakage Inductance : 6.5uH max. ,at 100KHz 100mV, PIN(1-3-2-4) ; PIN(10-8-9-7) shorted
- 5.) Inerwinding Capacitance : 35pF max. at 100KHz 100mV , PIN(1-3-2-4) to PIN(10-8-9-7)
- 6.) T.H.D. : -83dB max. ,at 100KHz 1.05V .
- 7.) HI-pot test : 1500Vac 60s or 1875Vac 1s , Line side to Chip side .
- 8.) Operating Temperature : -40 to +85 °C

Note: The SAAF series transformer meets the specifications for supplementary insulation per UL60950-1, CSA60950-1, IEC60950-1 with working voltage of 250V.

Schematic diagram & Dimension:



SUGGESTED P.C.B. LAYOUT

- NOTE : 1. For RoHS compliant products:
- a.) The UMEC ordering code: **TG-UT20341**
 - b.) Date Code suffix to "G" (xxxxG).
 - c.) Solder : Sn/Ag/Cu .
2. Specifications are subject to change without prior notice.

UNIT : mm

Tolerances : ± 0.2 mm

AGENCY APPROVALS

UL60950-1	: FILE NO. E212730	IEC60950-1	: CB Rrf. #DK-8600
CSA 60950-1 (via C-UL)	: FILE NO. E212730	Nordic, Japan, & Australia Deviations	: CB Rrf. #DK-8600
Nemko (EN60950-1)	: Certificate NO. P05203908		



UNIVERSAL MICROELECTRONICS CO.,LTD.
 TEL:886-4-23590096 FAX:886-4-23590129
 http://www.umec-web.com Email:business@umec.com.tw

3,27TH RD.,TAICHUNG INDUSTRIAL PARK,
 TAICHUNG,TAIWAN,R.O.C

E10-033-C