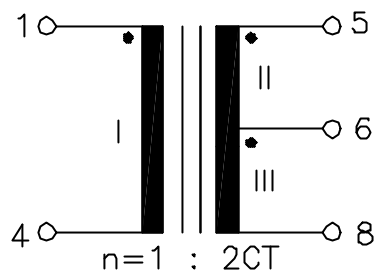


# ISDN

UM MODEL NO.:	SPECIFICATION	REV.	
UT20530A1	S-Interface Transformer	A0	00/10

Characteristic data:  
 $R_I=R_{II}=R_{III} \approx 3.1\Omega$

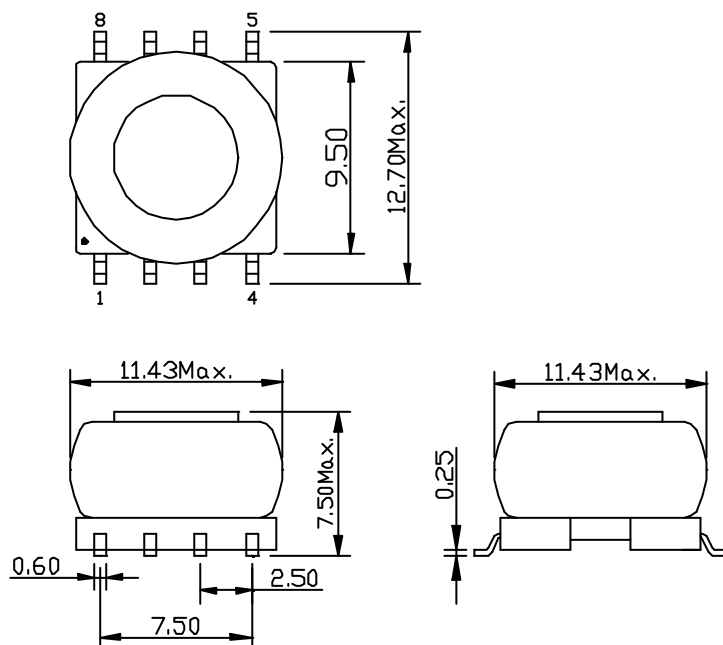
Schematic diagram:



Electrical Specification at 25°C:

- 1.)  $L_I \geq 35mH$ , at 5KHz 1V
- 2.) Polarity and turns ratio tolerance  $\pm 1\%$
- 3.) HI-pot test:  
 $U_p = 1.5KV_{rms}, 2s(NI \text{ to } N_{II} + N_{III})$

Dimension:



NOTE: Specifications are subject to change without prior notice.

UNIT: mm

Tolerances  $\pm 0.2mm$

E10-013-C



UNIVERSAL MICROELECTRONICS CO.,LTD.  
 TEL:886-4-23590096 FAX:886-4-23590129  
<http://www.umec-web.com> Email:business@umec.com.tw

3,27TH RD.,TAICHUNG INDUSTRIAL PARK,  
 TAICHUNG,TAIWAN,R.O.C