

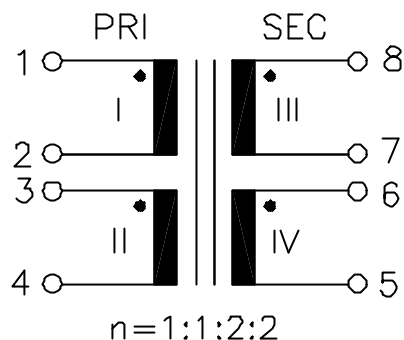
ISDN

UM MODEL NO.:	SPECIFICATION	REV.	
UT20695	S-Interface Isolation Transformer	A0	96/29

Characteristic data:

RI+II=0.60Ω±15%
 RIII+IV=5.0Ω±15%

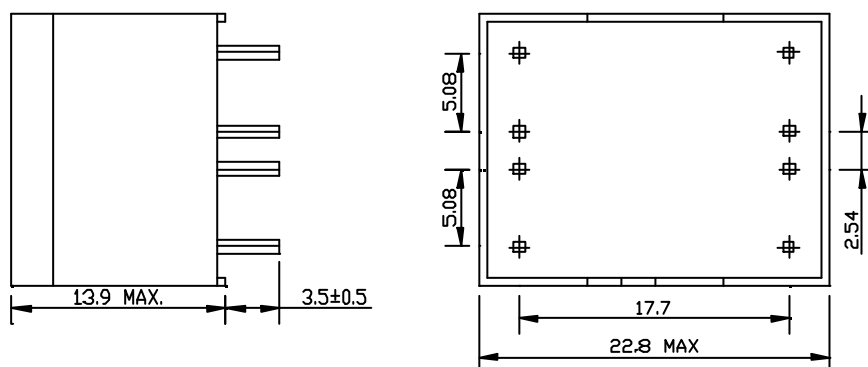
Schematic diagram:



Electrical Specification at 25°C:

- 1.) L I+II ≥ 22mH, (NI+II series), at 10KHz, 100mV
- 2.) Turns ratio tolerance: ±2%
- 3.) Cw/w ≤ 120pF, (NI+II to NIII+IV), at 1MHz, 1V
- 4.) Ls I+II ≤ 10.0uH, (NI+II series, NIII+IV shorted), at 1MHz, 1V
- 5.) HI-pot test:
 Up=4.0KVrms, (NI+II to NIII+IV)

Dimension:



NOTE: Specifications are subject to change without prior notice.

UNIT: mm

Tolerances: ±0.2mm



UNIVERSAL MICROELECTRONICS CO.,LTD.
 TEL:886-4-23590096 FAX:886-4-23590129
<http://www.umec-web.com> Email:business@umec.com.tw

3,27TH RD.,TAICHUNG INDUSTRIAL PARK,
 TAICHUNG,TAIWAN,R.O.C

E10-013-C