

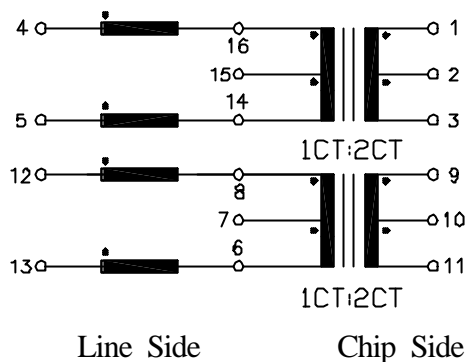
ISDN

UM MODEL NO.:	SPECIFICATION	REV.	
UT20775-5MTS	S-Interface Module	A1	02/42

Characteristic data:

Line Side D.C.R.= $4.7 \Omega \pm 15\%$
 Chip Side D.C.R.= $5.6 \Omega \pm 15\%$
 $\Delta I_{DC} = 4mA$

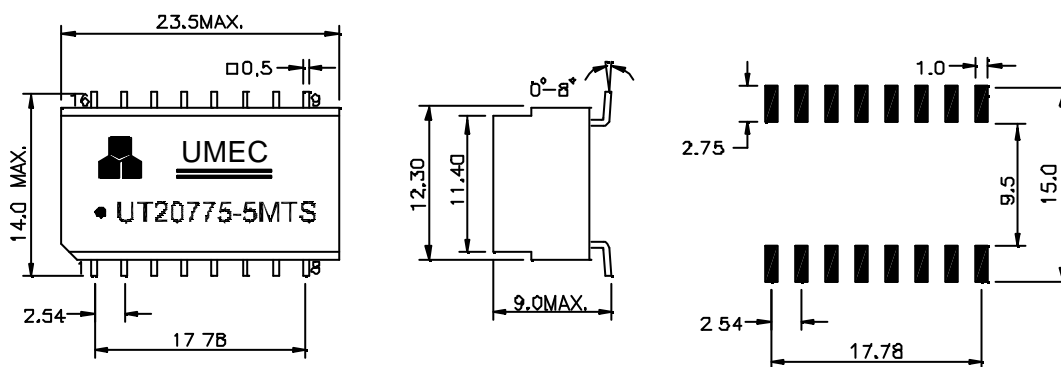
Schematic diagram:



Electrical Specification at 25°C:

- 1.) Line Side Inductance $\geq 30mH$, at 10KHz, 100mV
- 2.) Polarity and turns ration tolerance: $\pm 2\%$,
- 3.) Line Side Leakage Inductance $\leq 5.0uH$, at 100KHz, 100mV
- 4.) Interwinding Capacitance $\leq 100 pF$, at 100KHz, 100mV
- 5.) Common Chokes Inductance : $5mH \pm 30\%$ at 10kHz 100mV.
- 6.) HI-POT test:
 $U_p = 2.0KV_{rms}, 2s$ (Line Side To Chip Side)

Dimensions:



NOTE: 1. PACKAGING INFORMATION-TAPE AND REEL
 ACCORDING TO ITEM NO. "K30SS" OF DATA SHEET 01-00
 2. Specifications are subject to change without prior notice.

UNIT: mm

Tolerances: $\pm 0.2mm$



UNIVERSAL MICROELECTRONICS CO.,LTD.
 TEL:886-4-23590096 FAX:886-4-23590129
<http://www.umec-web.com> Email:business@umec.com.tw

3,27TH RD.,TAICHUNG INDUSTRIAL PARK,
 TAICHUNG,TAIWAN,R.O.C

E10-013-C