

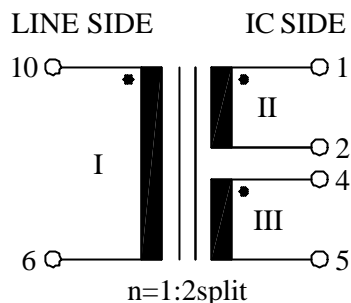
ISDN

UM MODEL NO.:	SPECIFICATION	REV.	
UT21023	ISDN S-Interface Transformer For PCMCIA Type II	A5	05/44

Characteristic data:

- RI \approx 2.0 Ω (LINE SIDE)
- RII+RIII \approx 4.3 Ω (IC SIDE)
- Tu(amb) \leq 60 $^{\circ}$ C

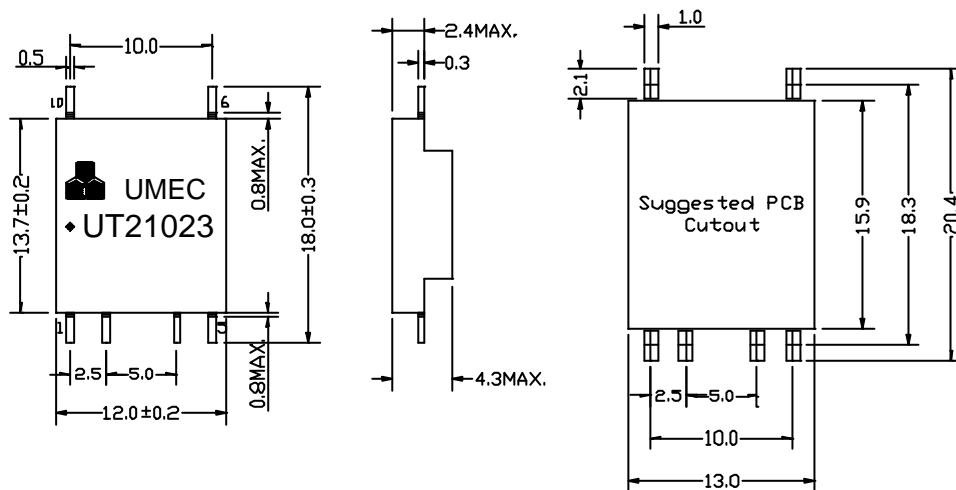
Schematic diagram:



Electrical Specification at 25 $^{\circ}$ C:

- 1.) LI \geq 22mH, at 10KHz 100mV
- 2.) Polarity and turns ratio tolerance \pm 2%
- 3.) Cw/w \leq 70pF, (NI to NII+ NIII), at 10KHz 100mV
- 4.) Cd I \leq 25pF, at 1MHz 1V
- 5.) Ls I \leq 5.0uH, (NII+ NIII shorted), at 100KHz 100mV
- 6.) HI-pot test:
Up=1.5KVrms, 2s(NI to NII+ NIII)

Dimension:



- Note: 1. Packaging information-tape and reel according to item no. "PCMCIA" of data sheet 01-00
 2. For RoHS compliant products:
 a.) The UMEC ordering code: **TG-UT21023**
 b.) Date Code suffix to "G" (xxxxG).
 c.) Solder : Sn/Ag/Cu .
 3. Specifications are subject to change without prior notice

UNIT: mm

Tolerances \pm 0.25mm



UNIVERSAL MICROELECTRONICS CO.,LTD.
 TEL:886-4-23590096 FAX:886-4-23590129
<http://www.umec-web.com> Email:business@umec.com.tw

3,27TH RD.,TAICHUNG INDUSTRIAL PARK,
 TAICHUNG,TAIWAN,R.O.C

E10-013-C