

# ISDN

UM MODEL NO.:	SPECIFICATION	REV.	
UT21103	4-Fold Common Mode Choke	A1	98/47

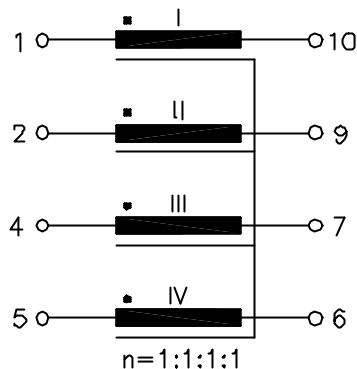
**Characteristic data:**

RI ~ IV ≈ 0.45Ω

In = 300mA

Tu(amb) ≤ 60°C

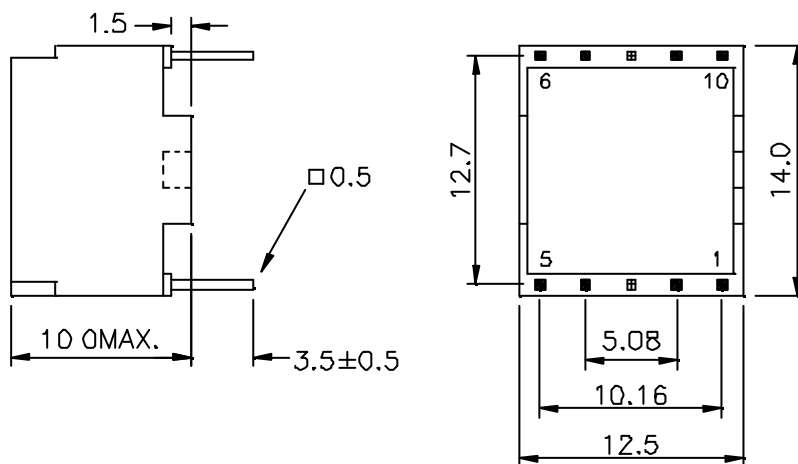
**Schematic diagram:**



**Electrical Specification at 25°C:**

- 1.) L = 5mH +50%/-30%, at 10KHz, 100mV
- 2.) Polarity and turns ratio tolerance: ±1%
- 3.) Ls I ≤ 0.5uH, (NII, III, IV shorted), at 100KHz, 100mV
- 4.) HI-pot test:  
Up = 0.5KVrms, 2s (Winding to Winding)

**Dimension:**



Note: Specifications are subject to change without prior notice.

UNIT: mm

Tolerances: ±0.2mm

E10-013-C



UNIVERSAL MICROELECTRONICS CO.,LTD.  
 TEL:886-4-23590096 FAX:886-4-23590129  
<http://www.umec-web.com> Email:business@umec.com.tw

3,27TH RD.,TAICHUNG INDUSTRIAL PARK,  
 TAICHUNG,TAIWAN,R.O.C